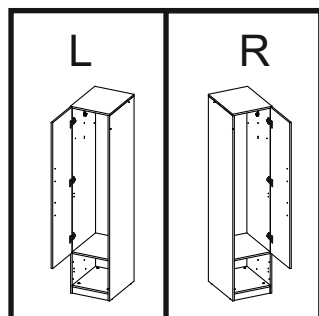
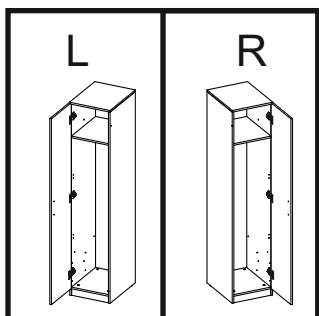
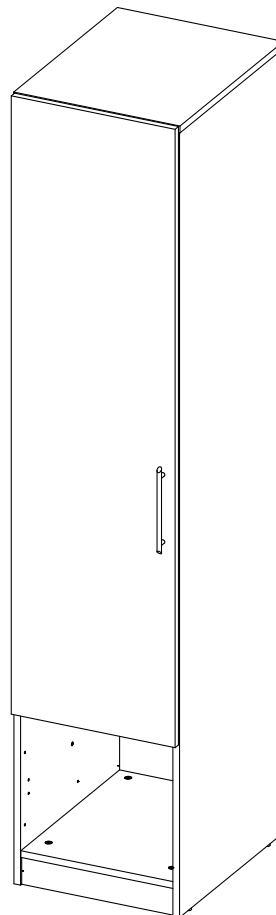
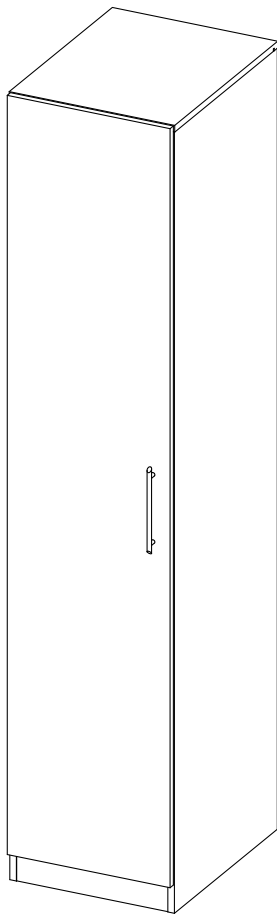


40cm CONNECT WARDROBE

Assembly Instruction

!!Please take time to read and follow these instructions carefully!!



V - 3 - 08.08.2018r.

Hello,

Thank you for choosing this item of furniture. To ensure that you get the most from your furniture here are a few safety tips and helpful hints from the professionals.

Safety

- Keep children and animals away from the assembly area.
- This furniture contains small parts that could cause choking if swallowed.
- Where applicable ensure the unit is fixed to a wall.
- Ensure all packaging is disposed of responsibly.

Helpful Hints

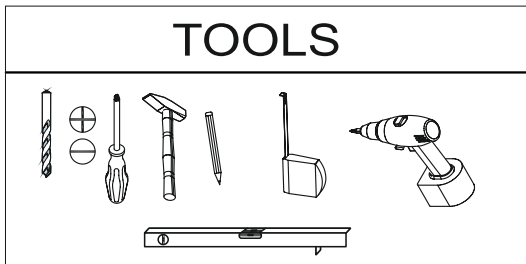
- Please take time to read through the Assembly Instructions.
- Clear as much space as possible in the room you intend to use the furniture in. Assemble the furniture in that room, moving built furniture between rooms is hard work.
- Open the fittings bag into a washing-up bowl or other container to stop any small parts being lost.
- Check all fittings and panels against the parts list to ensure that you have everything before you start.
- Check that you have the recommended tools for assembly. The use of power tools is NOT advised.
- Building is NOT a race. Take your time. For larger items take a break after about 60mins then start again refreshed.

Care and maintenance

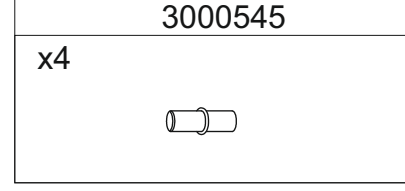
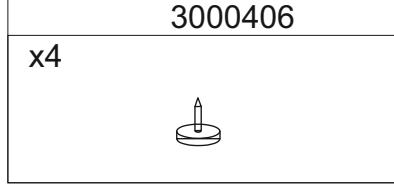
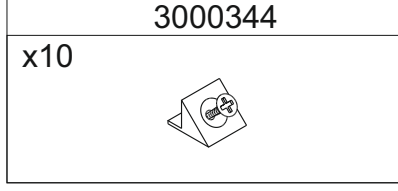
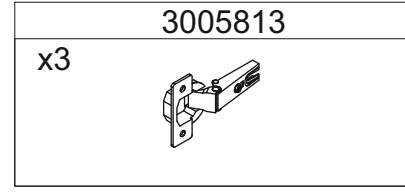
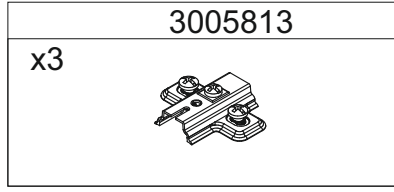
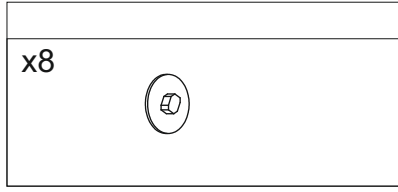
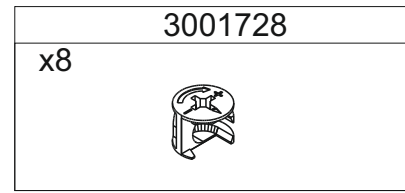
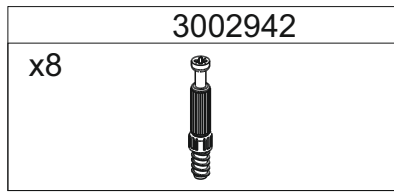
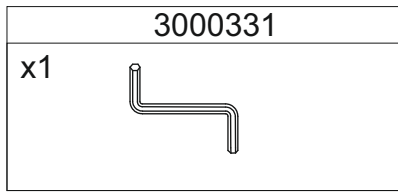
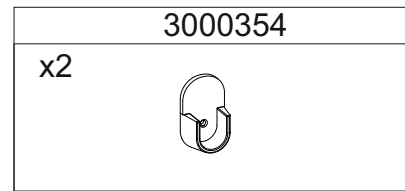
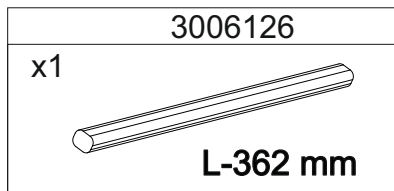
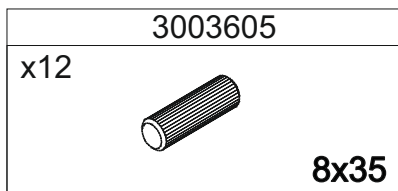
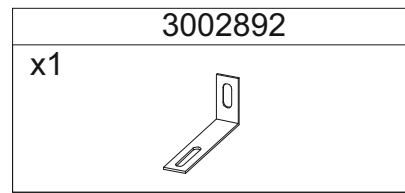
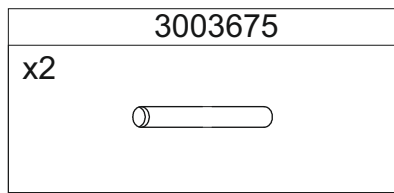
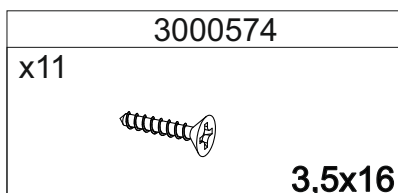
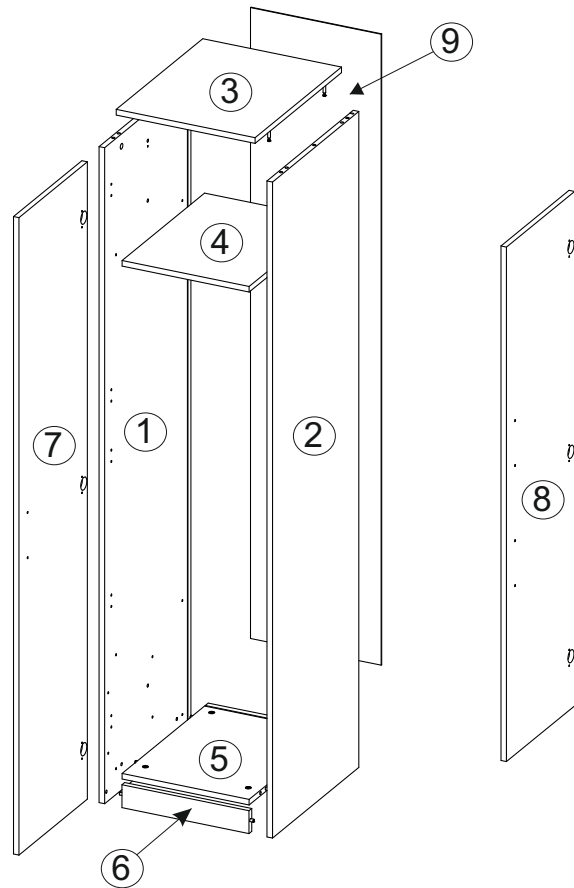
- To clean wipe with a slightly damp clean cloth.
- Periodically check there are no loose screws or fittings.


Enjoy your furniture.

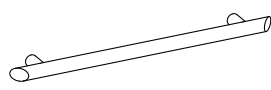
PART	SIZE	QTY
1	1860x500x16	1
2	1860x500x16	1
3	402x501x16	1
4	368x478x16	1
5	368x499x16	1
6	368x65x16	1
7	1807x396x16	1
8	1465x396x16	1
9	1789x378x3	1

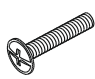


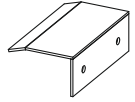
Installation shall be carried out exactly according to the manufacturer's instructions-otherwise a safety risk can occur if incorrectly installed; **WARNING** In order to prevent overturning this product must be used with the wall attachment device provided.



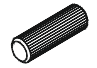
	3000585
x1	


	3006124
x1	


	3006124
x2	


	3011434	
x1		To be used on mirrored doors.

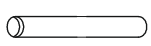
1

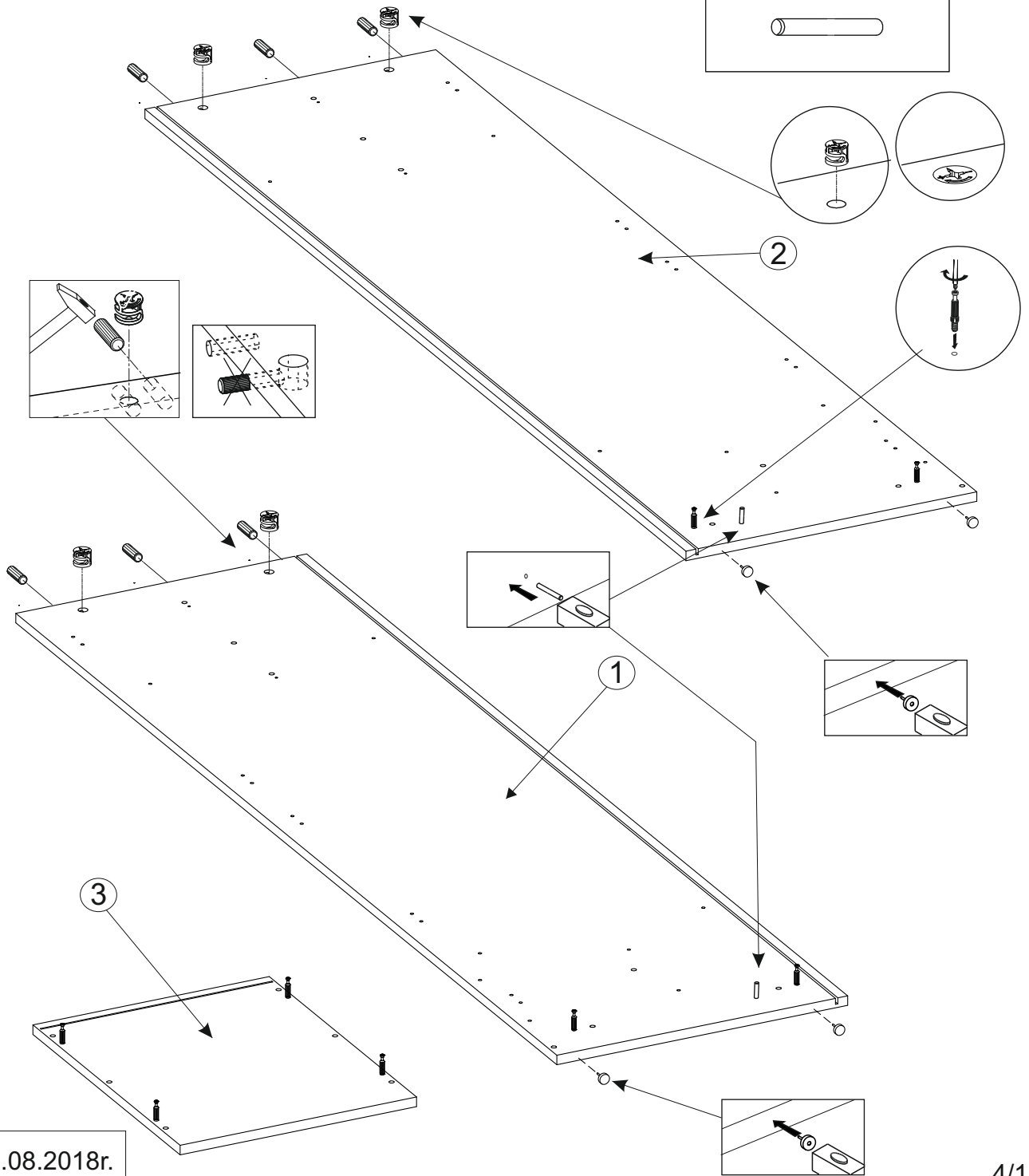
x6	
	8x35

x4	
----	---



x8	
----	---

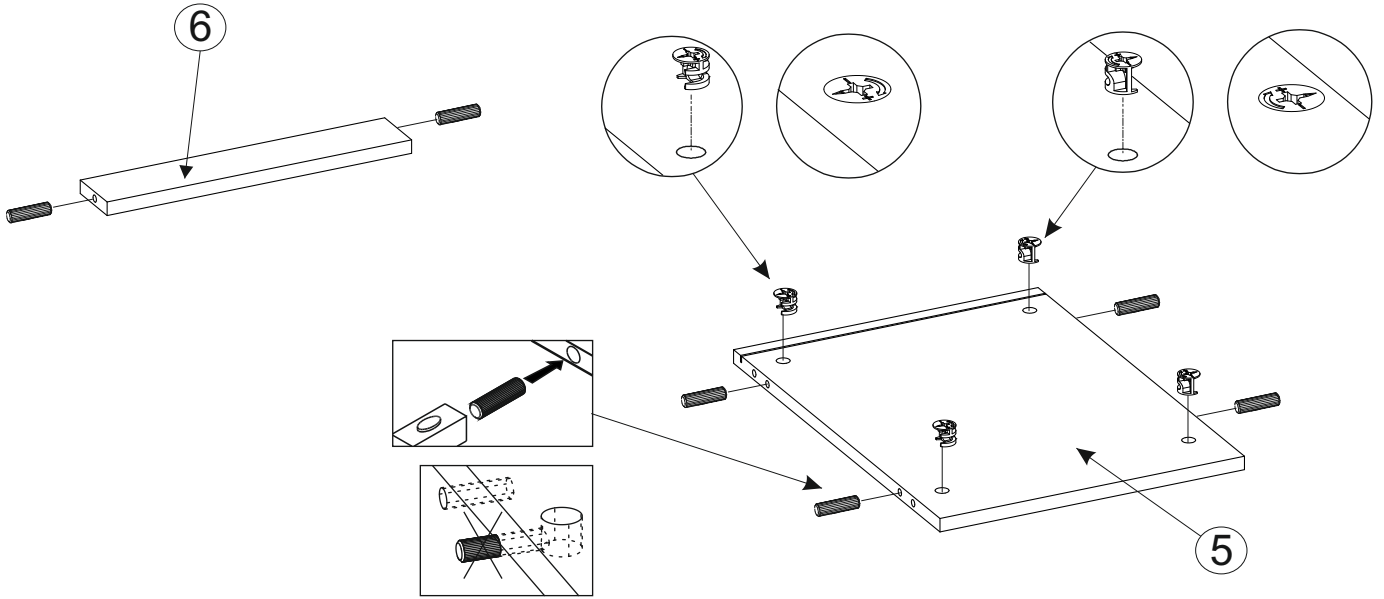
x4	
----	---

x2	
----	---


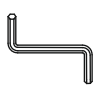


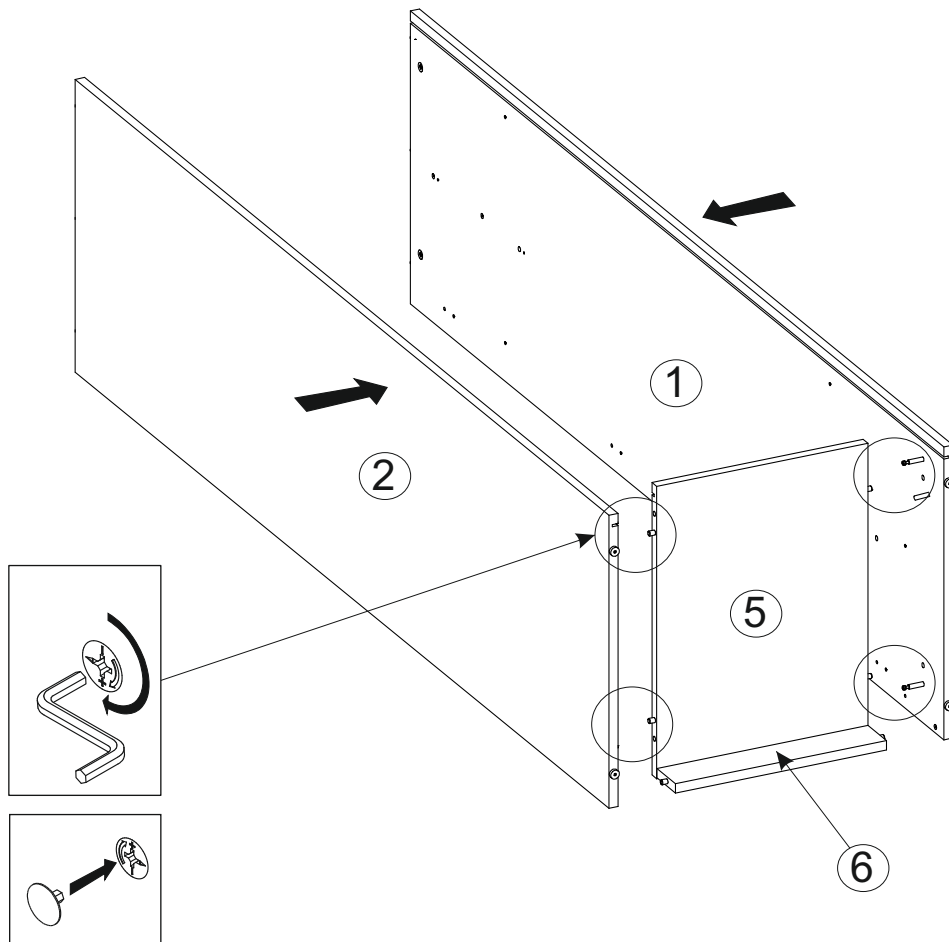
2

x6	x4
	
8x35	

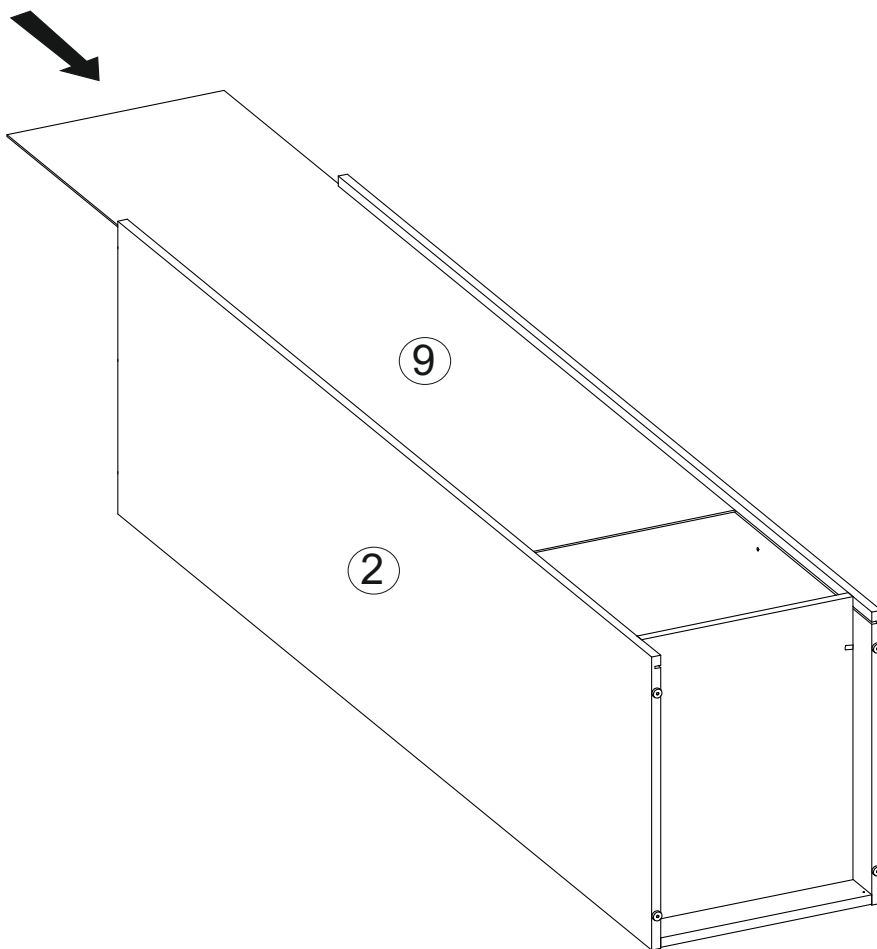


3

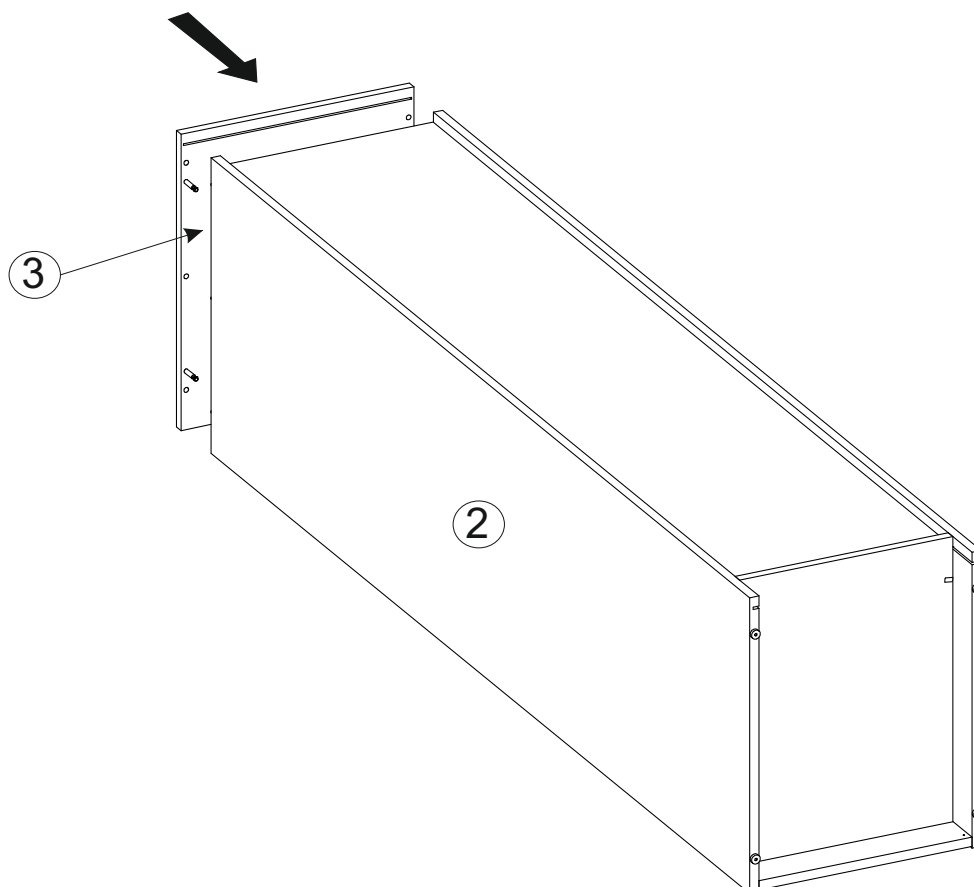
x4	x1
	




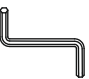
4

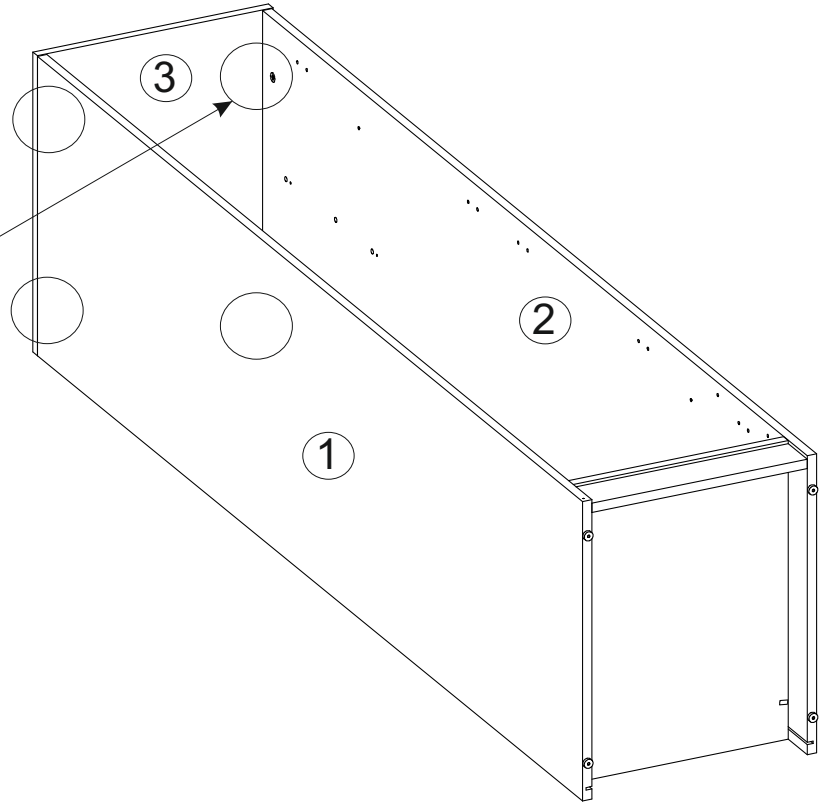
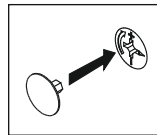
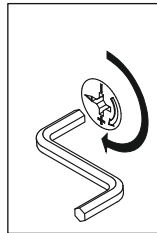
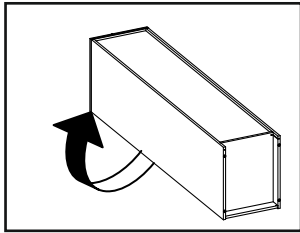


5




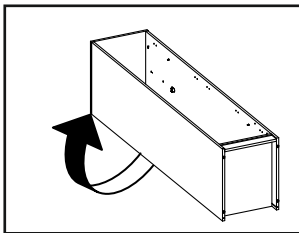
6

x4	x1
	

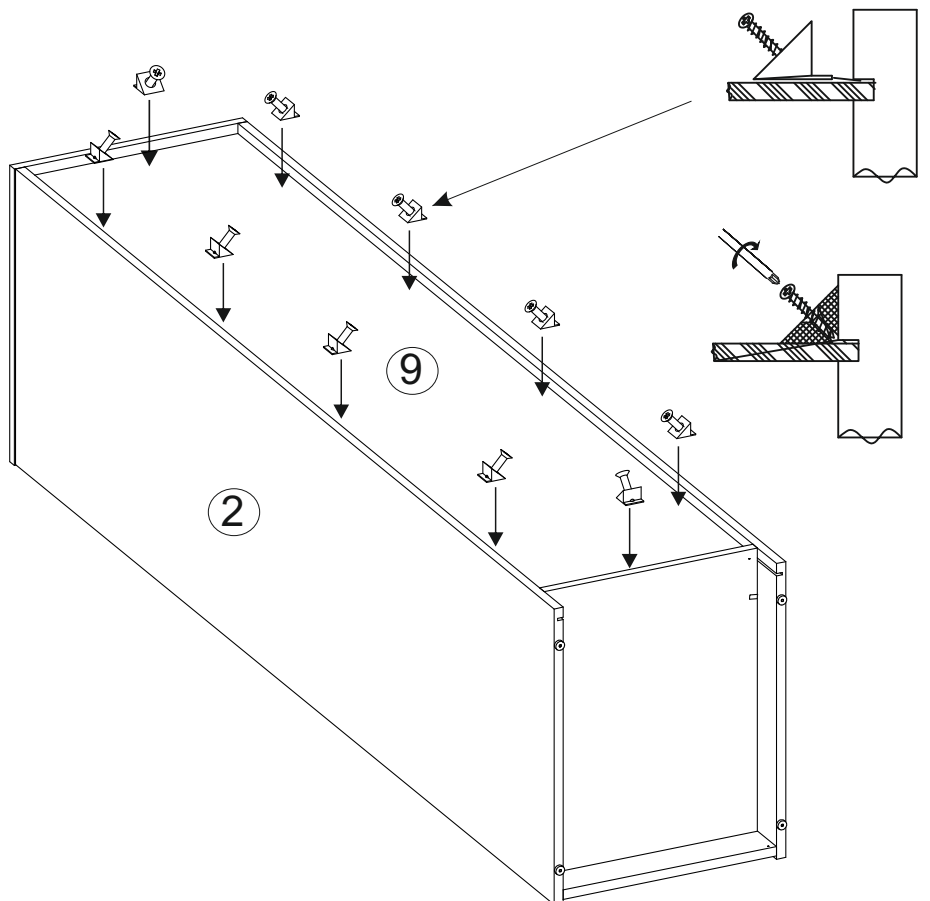
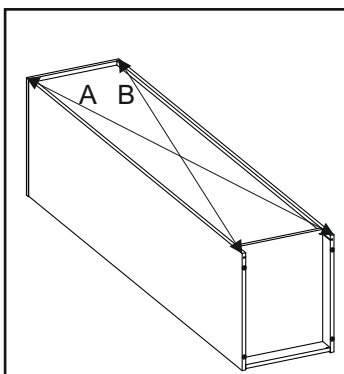


7





x10


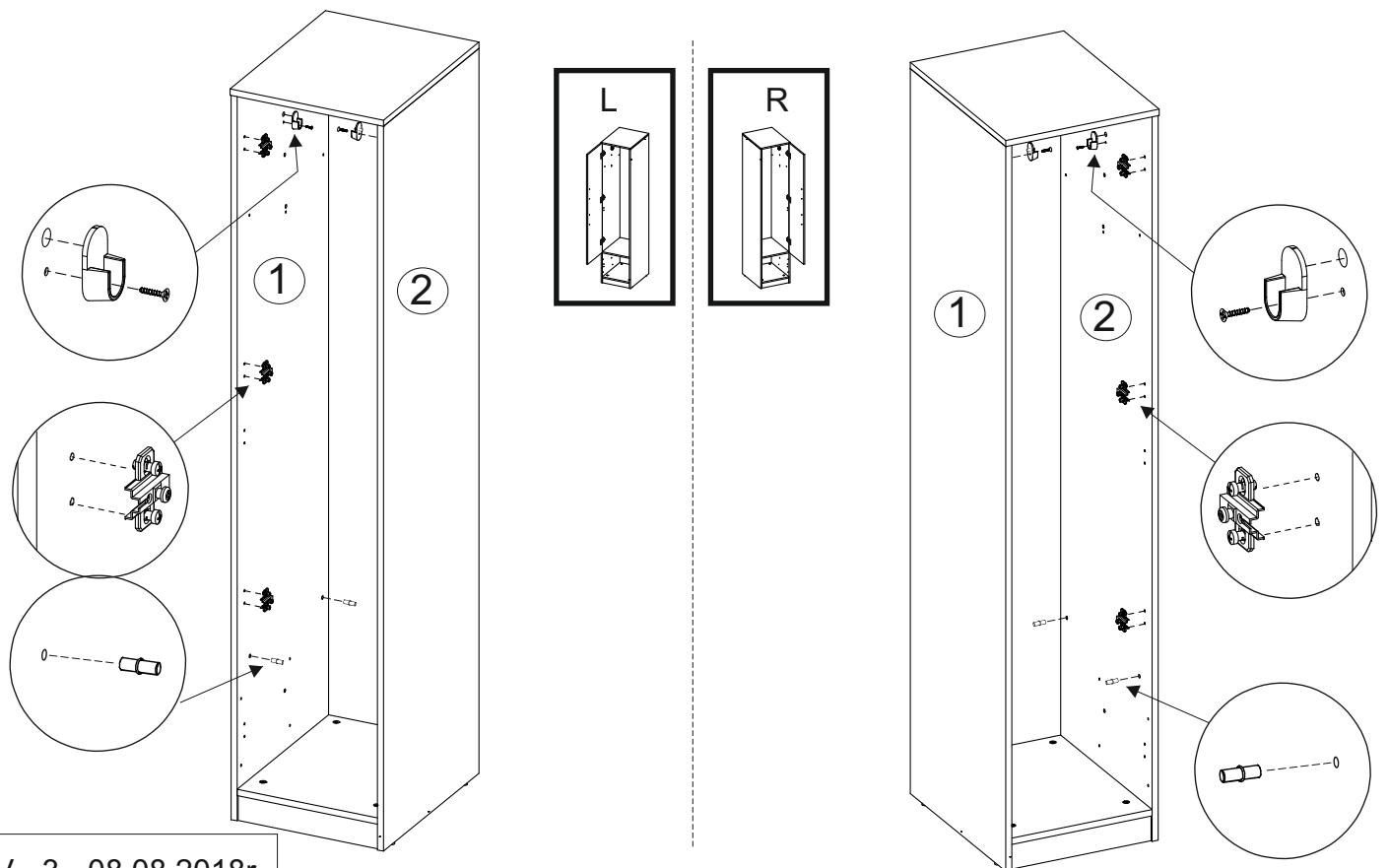
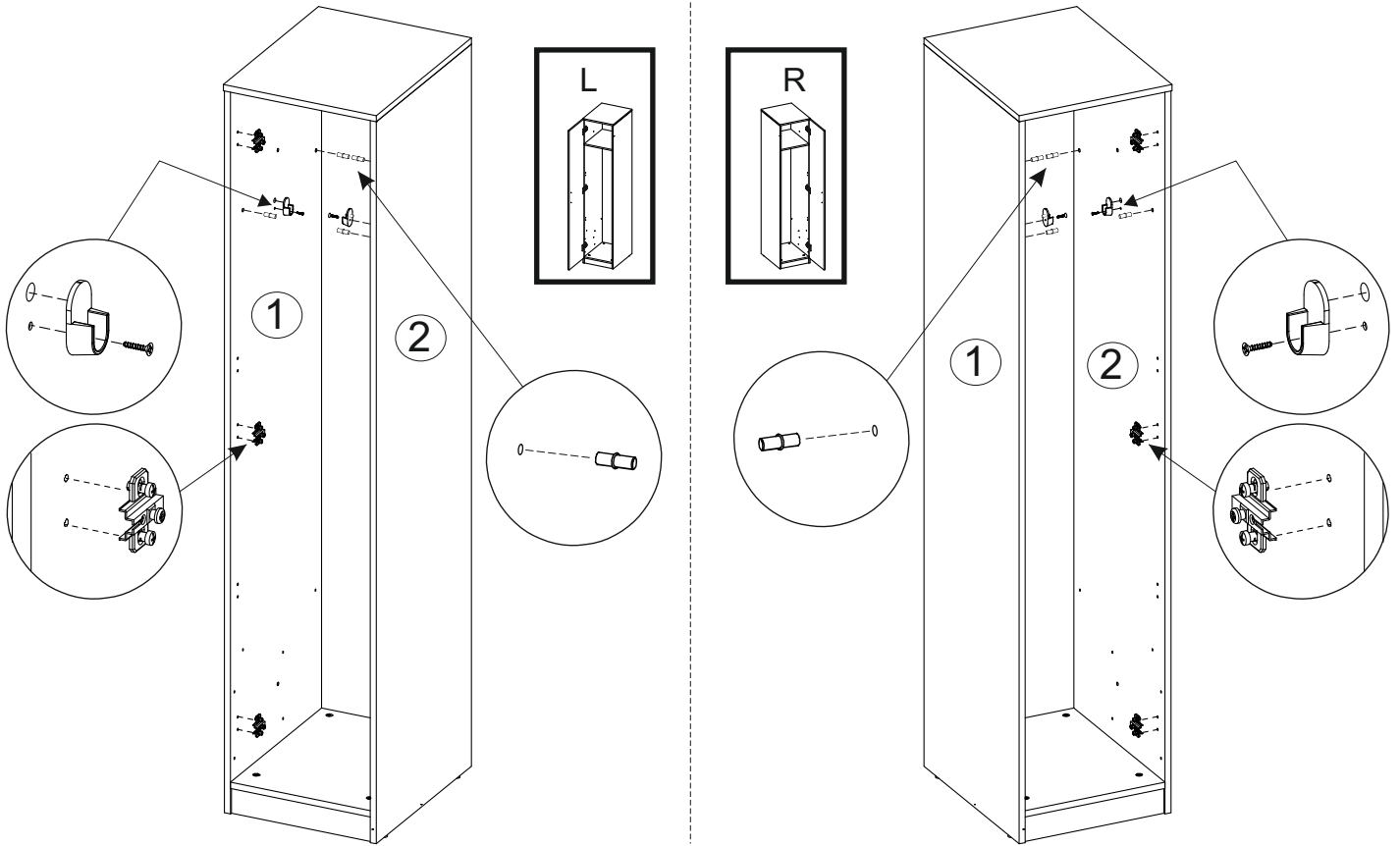


A=B


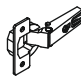


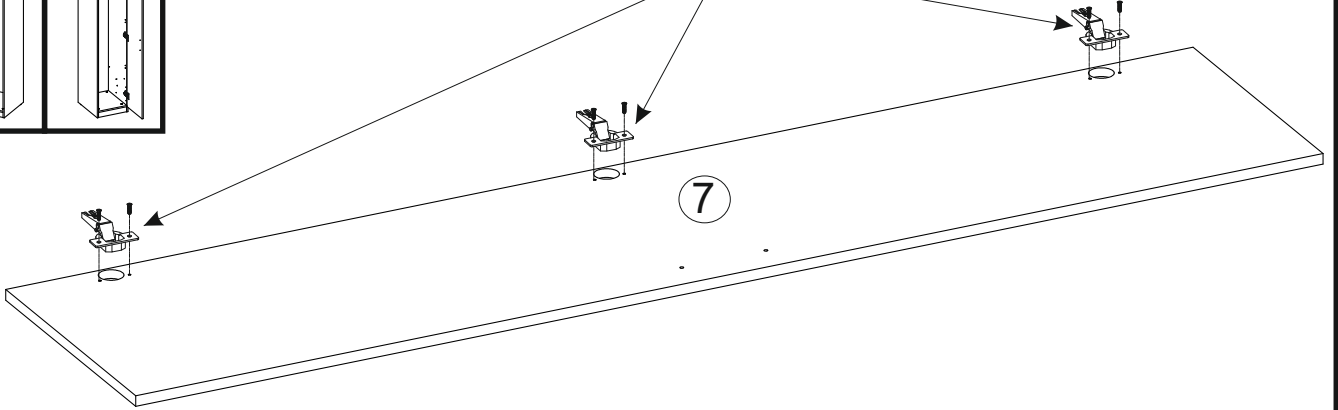
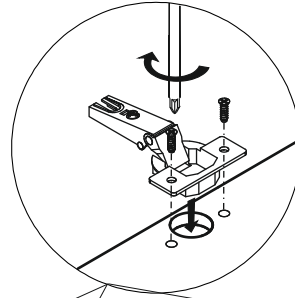
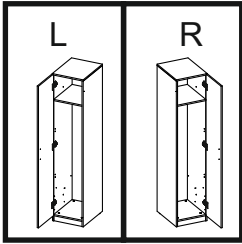
8

x4	x2	x3	x2
	 3,5x16		


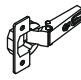


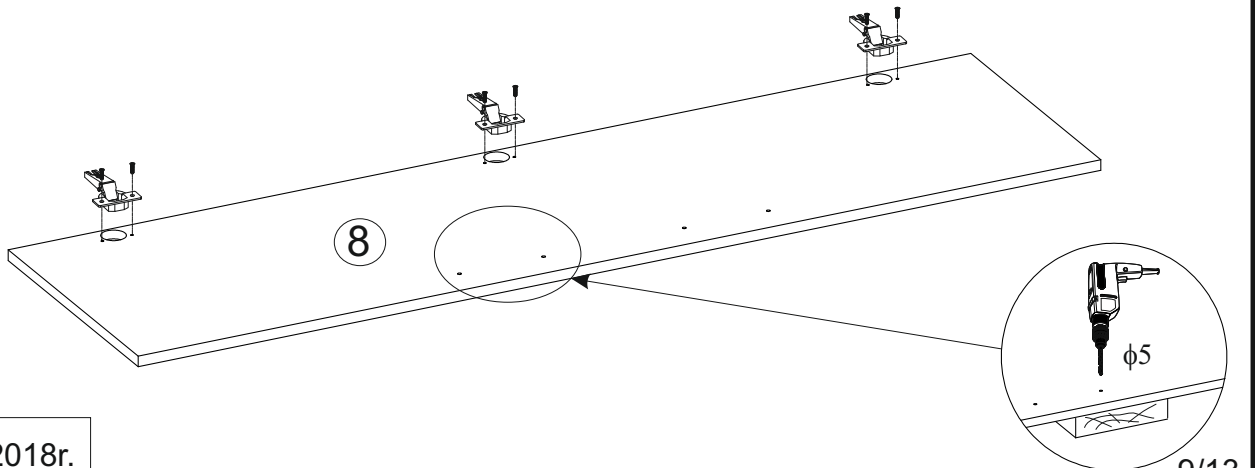
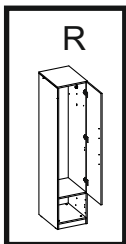
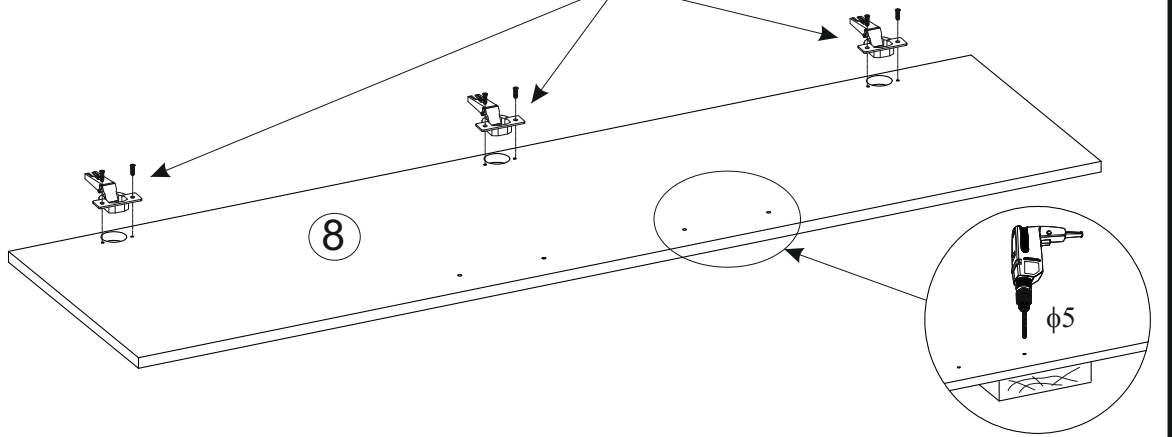
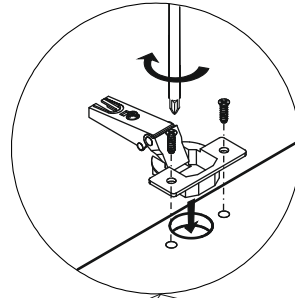
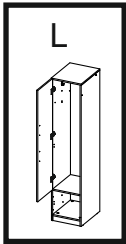
9

x6	x3
	
3,5x16	

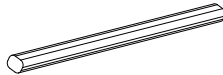
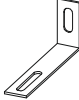
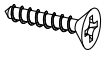


10

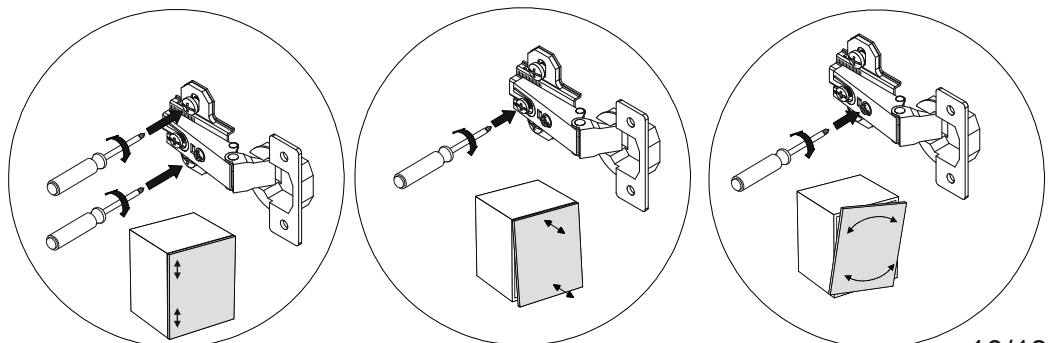
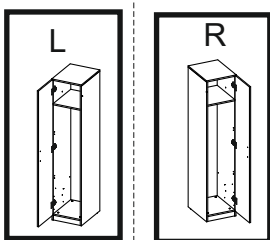
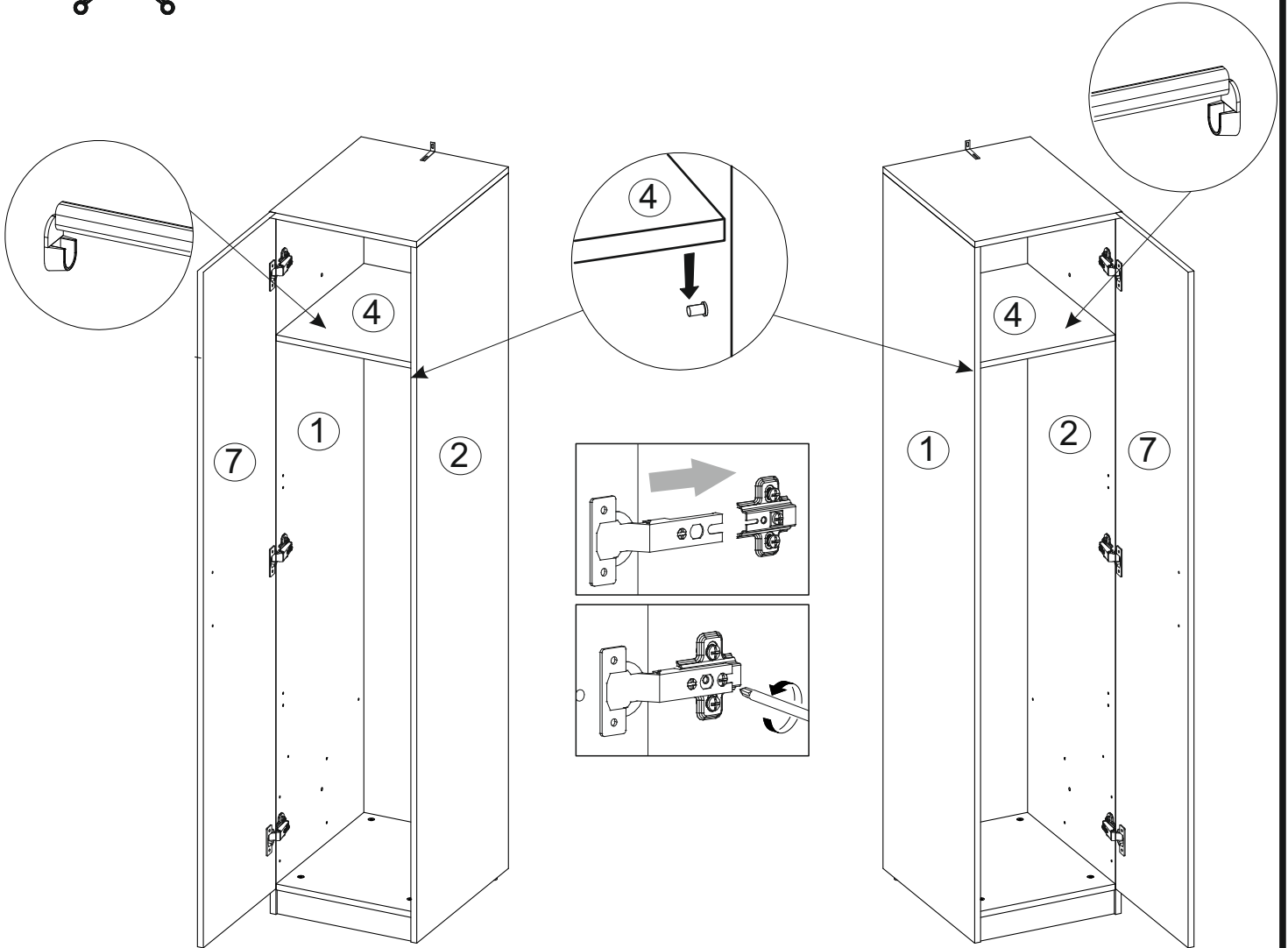
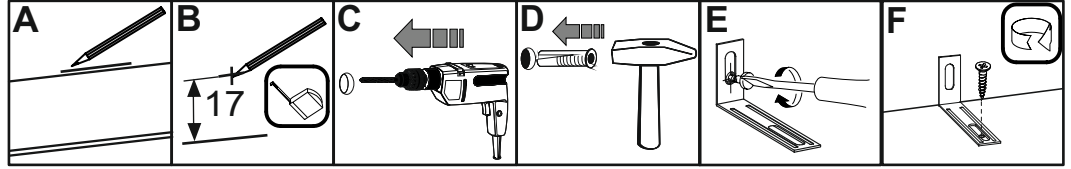
x6	x3
	
3,5x16	





11

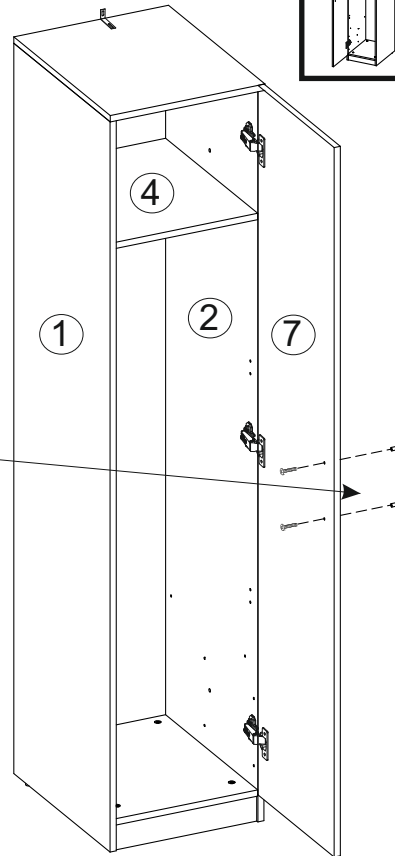
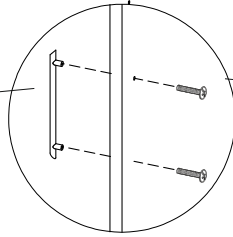
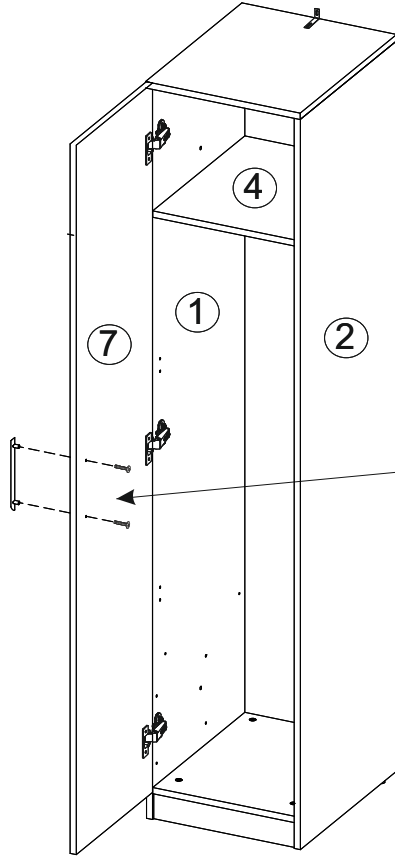
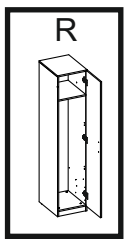
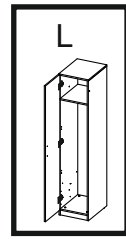
x1	x1	x1
		 3,5x16

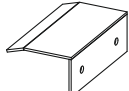

Installation shall be carried out exactly according to the manufacturer's instructions-otherwise a safety risk can occur if incorrectly installed; **WARNING** In order to prevent overturning this product must be used with the wall attachment device provided.

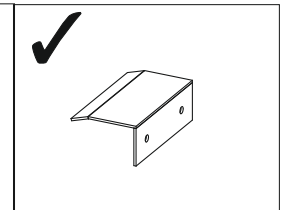
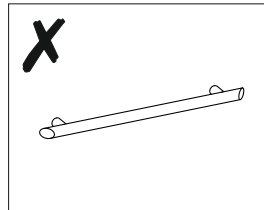


12

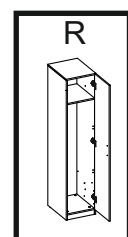
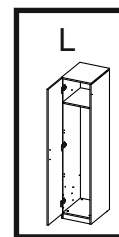
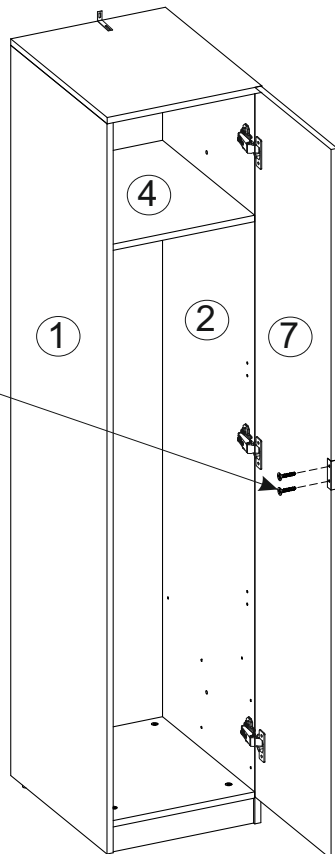
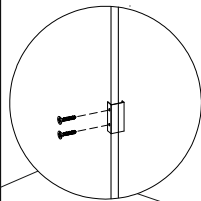
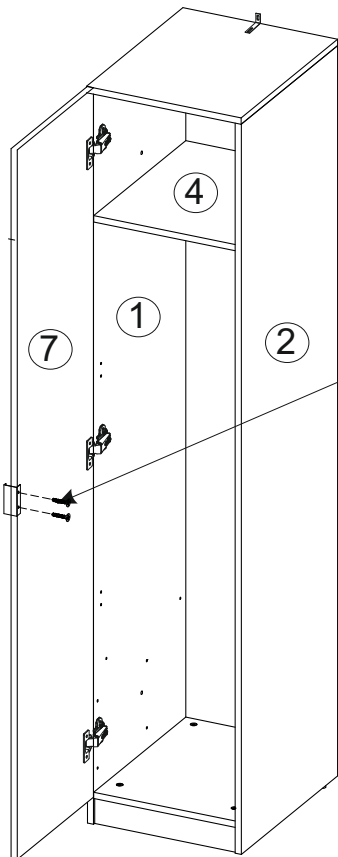
3006124 x1	3006124 x2
	



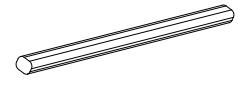
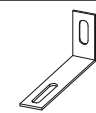
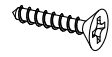


3011434 x1	3000574 x2
	
	3,5x16

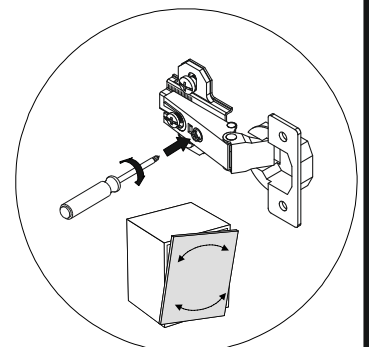
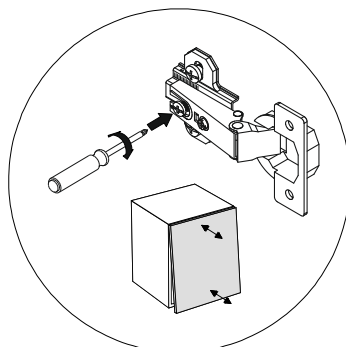
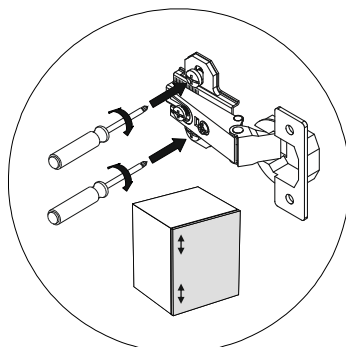
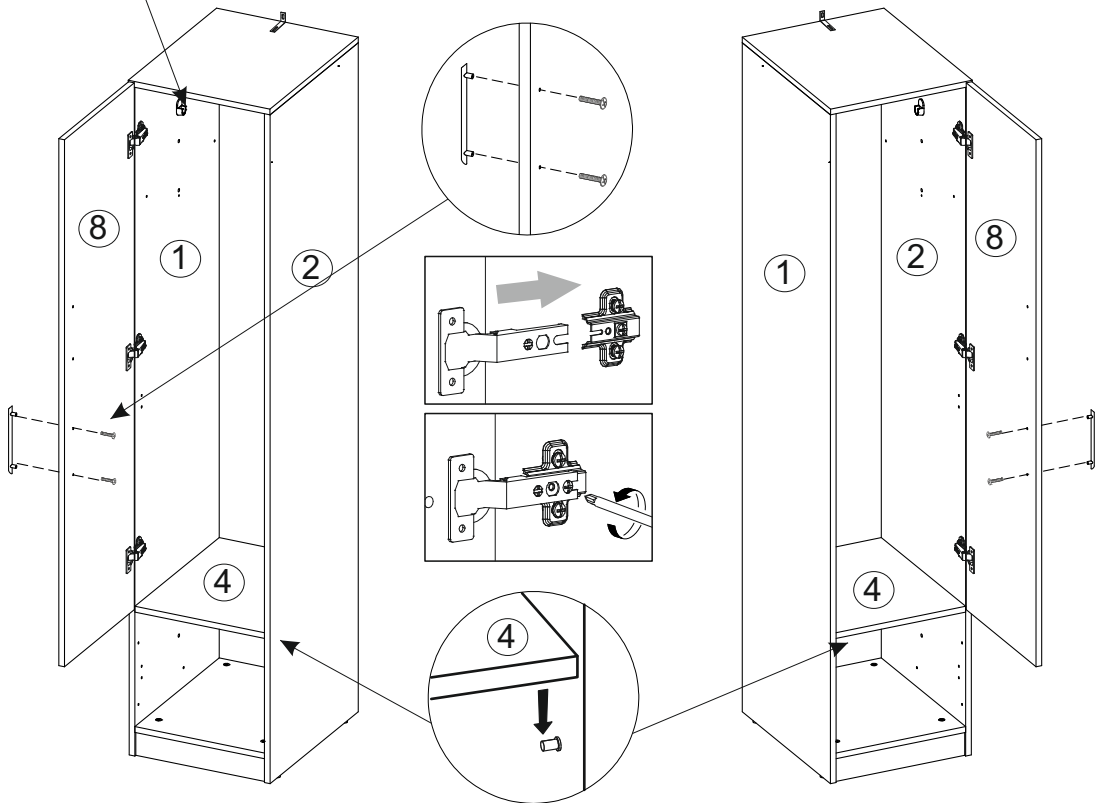
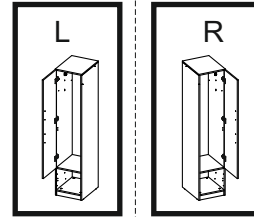
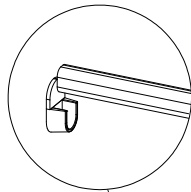
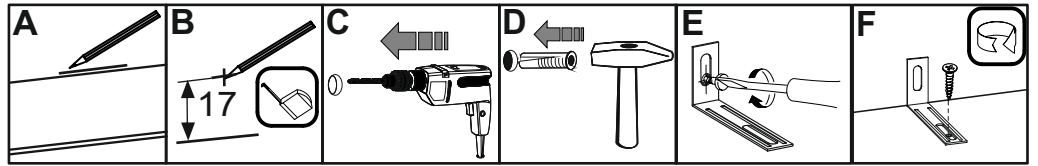
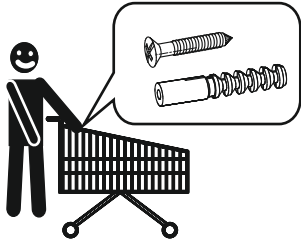


If you have purchased a product with mirrored doors you may choose to fit the small pull handle supplied to one of the mirrored doors to assist opening.



x1	x2	x1	x1	x1
				 3,5x16

Installation shall be carried out exactly according to the manufacturer's instructions-otherwise a safety risk can occur if incorrectly installed; **WARNING** In order to prevent overturning this product must be used with the wall attachment device provided.



13

