



Birlea

Suppliers of inspiration

Assembly Instructions

Thank you for
purchasing a
Birlea product.

For a chance to win a *Love 2 Shop* voucher simply post a picture of your new product on your preferred social channels tagging Birlea Furniture and using the hashtag **#ShareYourStyle** and **#Birlea**. One winner will be selected at random each month.

To view our full terms and conditions please visit our website. www.birlea.com

Are you happy with your purchase?

Yes: That's great, we would love to hear more from you. Please leave us a review on our social media channels or Trustpilot. Your feedback will be greatly appreciated.

No: If for any reason there is something missing, indifferent or incorrect with your order, please contact the retailer you purchased the item from. We will work with the retailer to resolve your issue as quickly as possible.



www.birlea.com

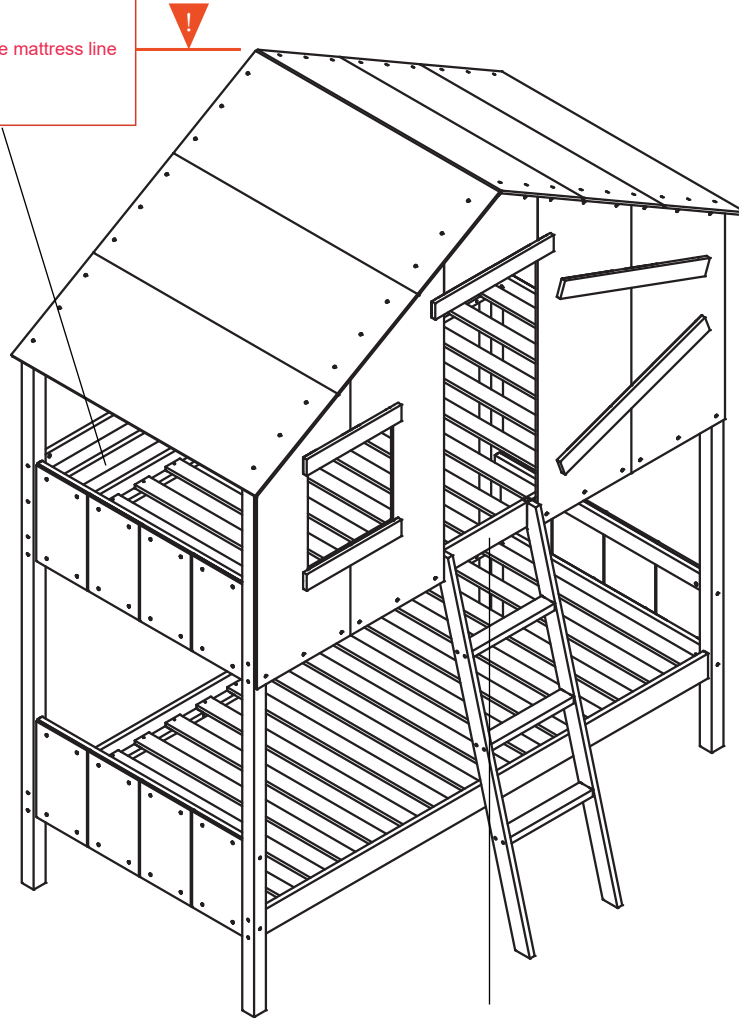
EN - Instructions for use

IMPORTANT – READ CAREFULLY – KEEP FOR FUTURE REFERENCE

- a) WARNING "High beds and the upper bed of bunk beds are not suitable for children under six years due to the risk of injury from falls";
- b) WARNING "Bunk beds and high beds can present a serious risk of injury from strangulation if not used correctly. Never attach or hang items to any part of the bunk bed that are not designed to be used with the bed, for example, but not limited to ropes, strings, cords, hooks, belts and bags"
- c) WARNING "Children can become trapped between the bed and the wall, a roof pitch, the ceiling, adjoining pieces of furniture (e.g. cupboards) and the like. To avoid risk of serious injury the distance between the top safety barrier and the adjoining structure shall not exceed 75 mm or shall be more than 230 mm";
- d) **WARNING** Do not use the upper bunk bed or a raised bed if a part of the structure is missing or broken. Spare parts should be requested from the manufacturer or shop.
- e) It is essential that the manufacturer's instructions on assembly and use are followed.
- f) The recommended size of the mattress to be used with the bed is 1900mm x 900mm, **Maximum mattress thickness: 130 mm**
- g) Mattresses must be aired to maintain a low humidity and to stop moisture building up in the bed and its surroundings.
- k) The fastenings put in place on assembly should all be properly tightened and regularly checked. Retighten the fastenings as necessary.
- l) This complies with the requirements of the European Safety Standard EN747-1&2:2012+A1:2015
- m) The presence of a night light could give more safety for a child sleeping in an upper bed.



The maximum thickness of the mattress line



DO NOT REMOVE THE EN747 PLATE



Factory ID: Manufactured in China
Date of Manufacture:



SAFARI BUNK BED

Product Code - SAFBBGRY&SAFBBWHT
BIRLEA FURNITURE LTD
UNIT 6A-1, WEST MEADOW RISE,
CASTLE
DONINGTON, DERBYSHIRE, DE74 2HL

CERTIFICATION LABEL

This bunk bed model has been tested
by an independent laboratory and is
in compliance with
BS EN 747-1&2:2012 +A1:2015 -
Standard Consumer Safety Specification
For Bunk Beds & High Beds

WARNING: THIS UPPER BED IS NOT SUITABLE FOR CHILDREN UNDER SIX YEARS



Birlea

Suppliers of inspiration

ASSEMBLY INSTRUCTION

SAFARI BUNK BED

IMPORTANT: READ THESE INSTRUCTIONS CAREFULLY BEFORE ASSEMBLING OR USING BED FRAME.

PLEASE KEEP THESE INSTRUCTIONS FOR FUTURE REFERENCE.

HEALTH & SAFETY:

DO NOT jump on this bed frame.

DO NOT use this bed frame if any parts are missing, damaged or worn.

DO NOT use this bed frame unless all fixings are secured.

Please keep small parts out of reach of children.

Always use on a level, even surface.

WARNING: If this bed is placed on a non-carpeted floor you must place some protection under all legs to stop the bed frame from moving. If this is not adhered to there is no guarantee if the bed frame collapses.

CARE & MAINTENANCE:

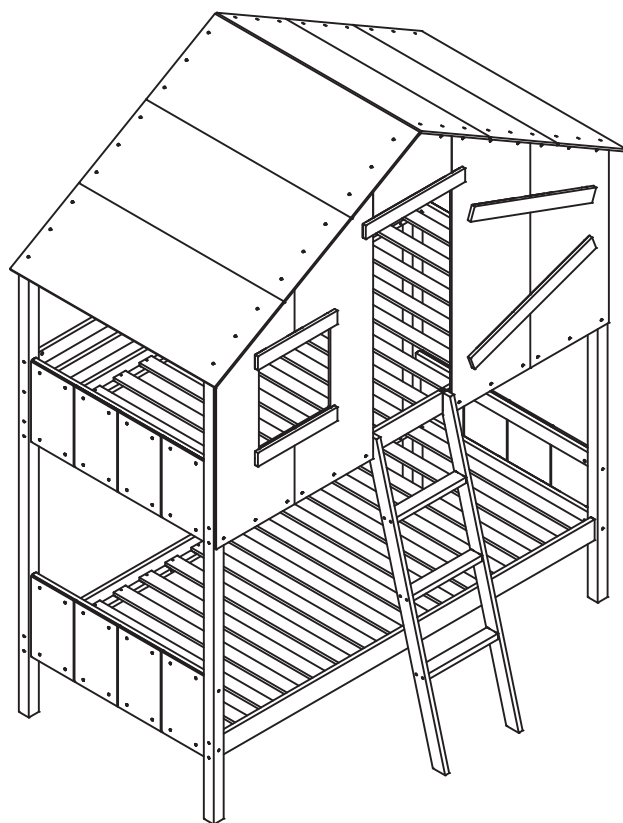
Assemble in the room of use.

Periodically check all screws & fixings to ensure they are secure.

DO NOT push the bed frame as this will damage the legs.

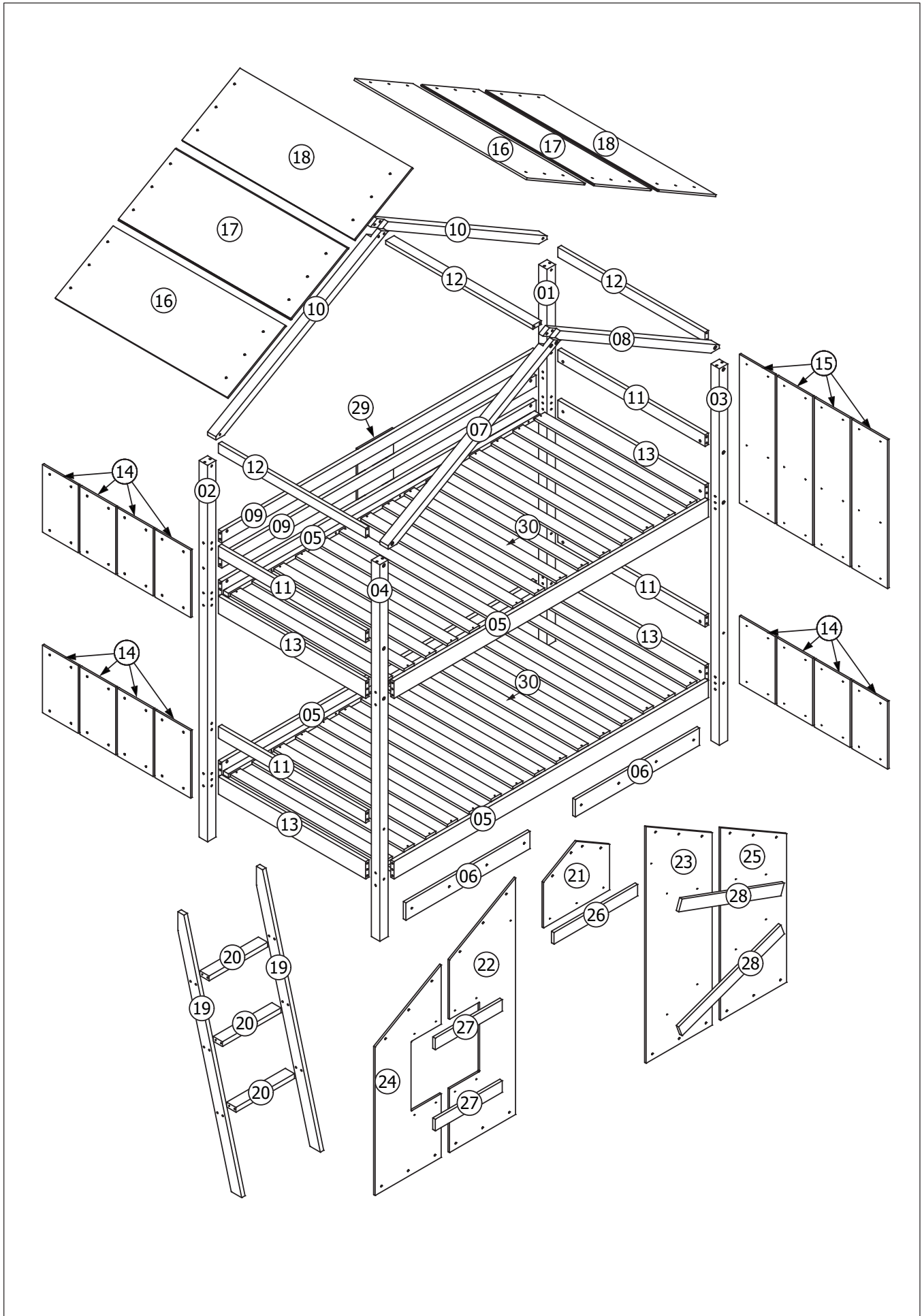
Always lift the bed with two people to reposition.

Keep any sharp objects away from the frame.



Birlea

Suppliers of inspiration


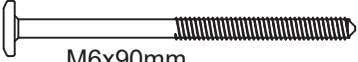












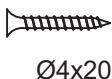
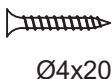
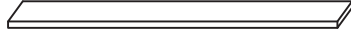


Birlea

Suppliers of inspiration

Parts List							
PART	DESCRIPTION	QTY	BOX	PART	DESCRIPTION	QTY	BOX
1	BACK LEG(RIGHT)	1	1	16	ROOF	2	2
2	BACK LEG(LEFT)	1	1	17	ROOF	2	2
3	FRONT LEG(RIGHT)	1	1	18	ROOF	2	2
4	FRONT LEG(LEFT)	1	1	19	LADDER RAIL	2	1
5	SIDERAILS	4	1	20	TREADS	3	1
6	DOOR RAIL	2	1	21	UPPER WALL	1	2
7	ROOF FRAME	1	2	22	UPPER WALL	1	2
8	ROOF FRAME	1	2	23	UPPER WALL	1	2
9	ROOF FRAME	2	1	24	UPPER WALL	1	2
10	ROOF FRAME	2	2	25	UPPER WALL	1	2
11	HEADBOARD&FOOTEND UPPER RAIL	4	1	26	WALL RAIL	1	1
12	ROOF RAIL	3	1	27	WALL RAIL	2	1
13	HEADBOARD&FOOTEND BASE RAIL	4	1	28	WALL RAIL	2	1
14	SAFETY BARRIERS PAD	12	2	29	SAFETY BARRIERS PAD	1	2
15	SAFETY BARRIERS PAD	4	1	30	SLATS	2	3

HARDWARE (IN BOX1)

A	 15mm	 M6x90mm	36	F	 8mm	 Ø4x30mm	68
B	 Ø10.5x16mm	36	G	 40x40mm	04		
C	 8mm	 Ø8x30mm	44	H		02	
D	 10mm	 Ø7x60mm	12	K	 4mm	01	
E	 15mm	 Ø6x90mm	12	L	 8mm	 Ø4x20mm	167
O	 350x30x5mm						

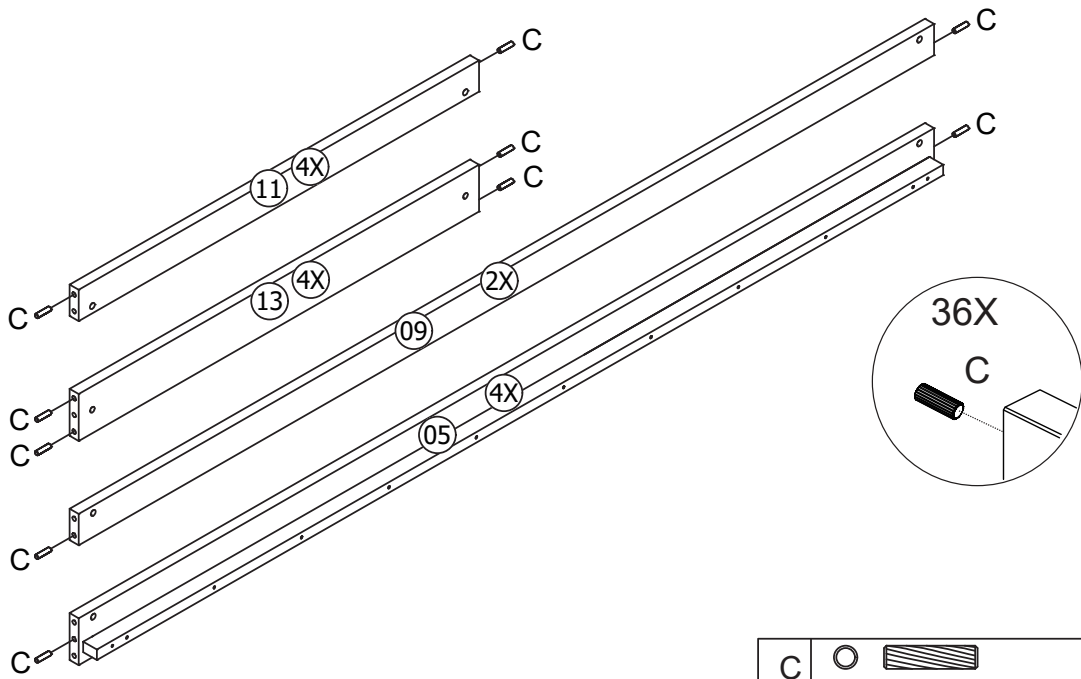
**You will need a screwdriver and a small mallet (not provided).



Birlea

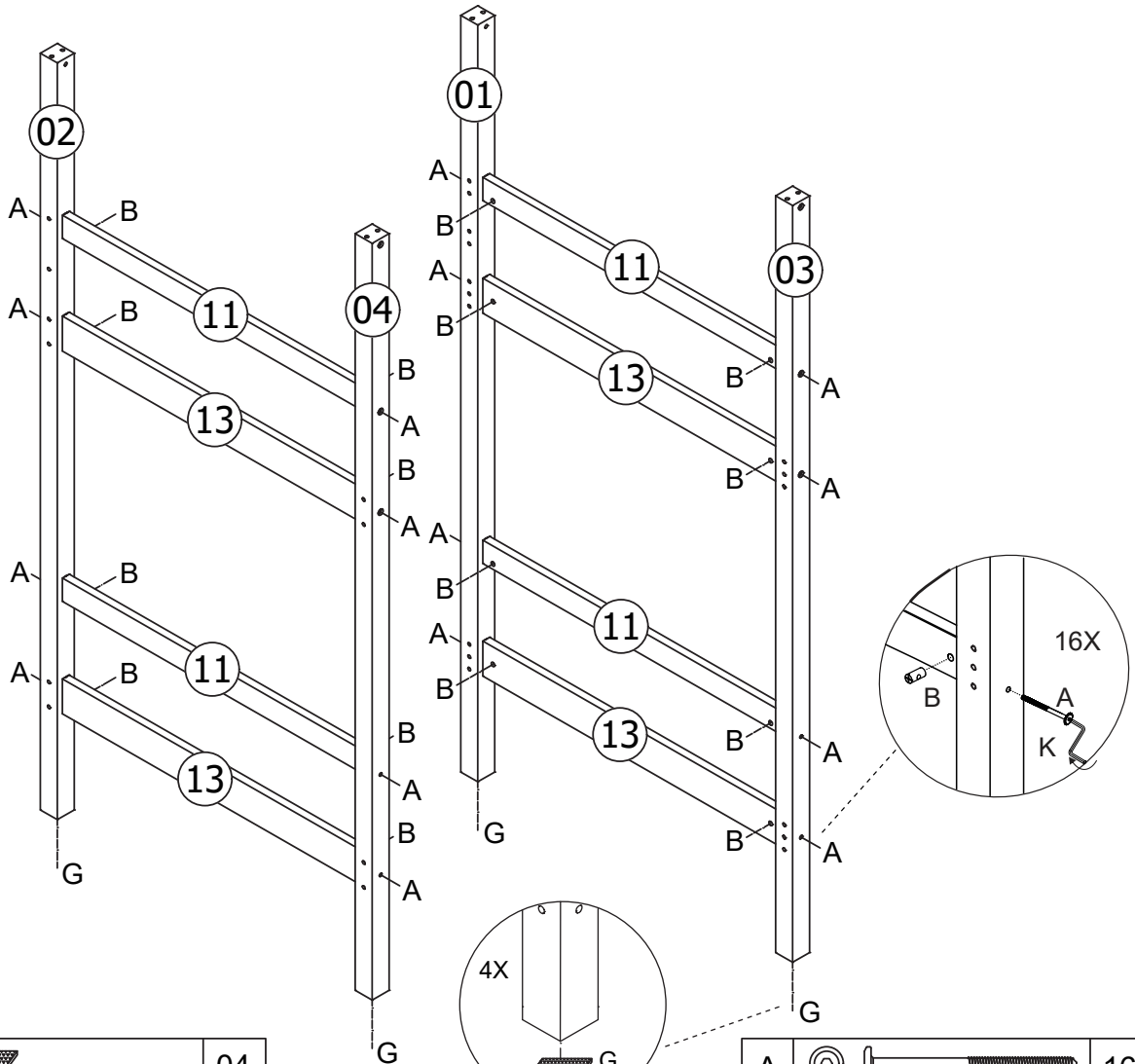
Suppliers of inspiration

01



C	8mm	Ø8x30mm	36
---	-----	---------	----

02



G	40x40mm	04
K	4mm	01

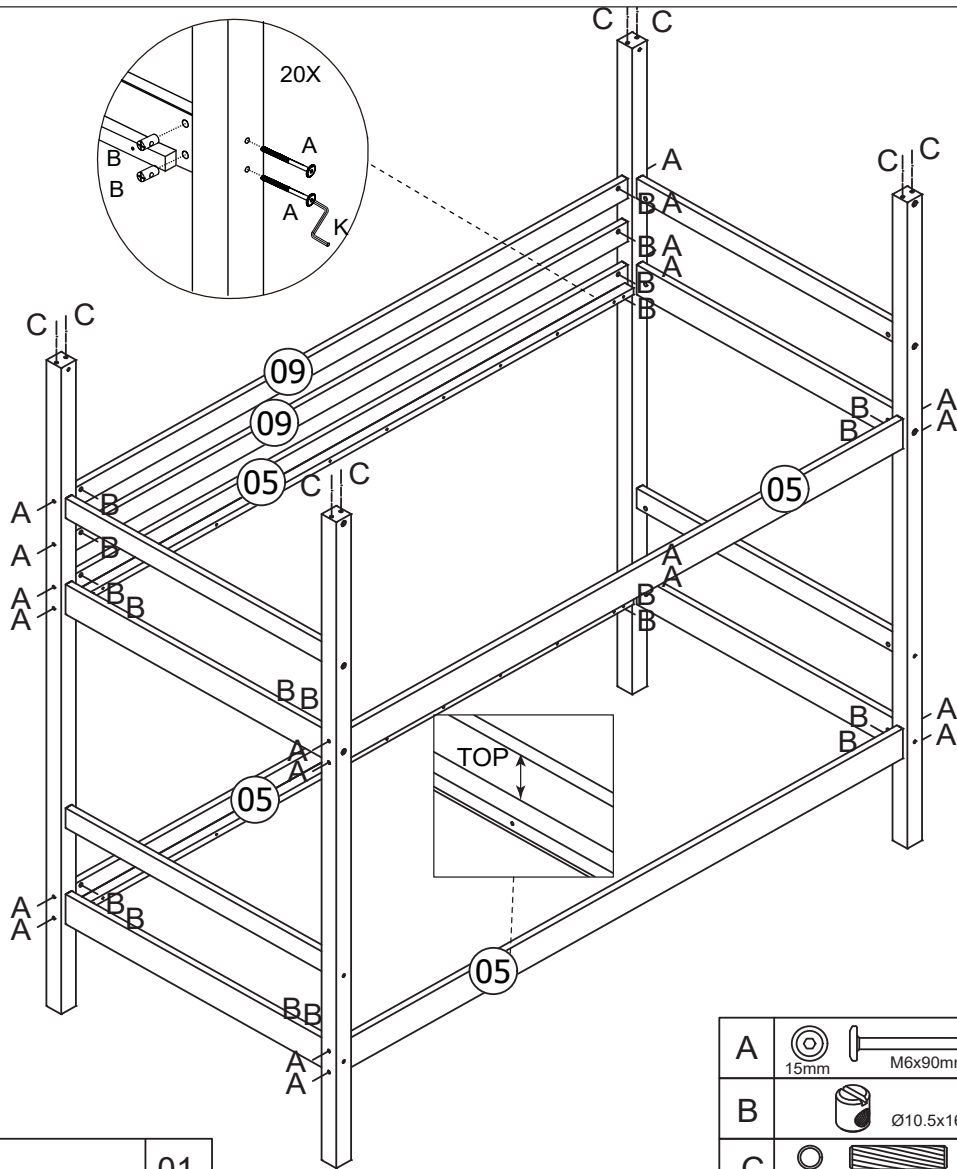
A	15mm	M6x90mm	16
B	Ø10.5x16mm		16






Birlea

Suppliers of inspiration

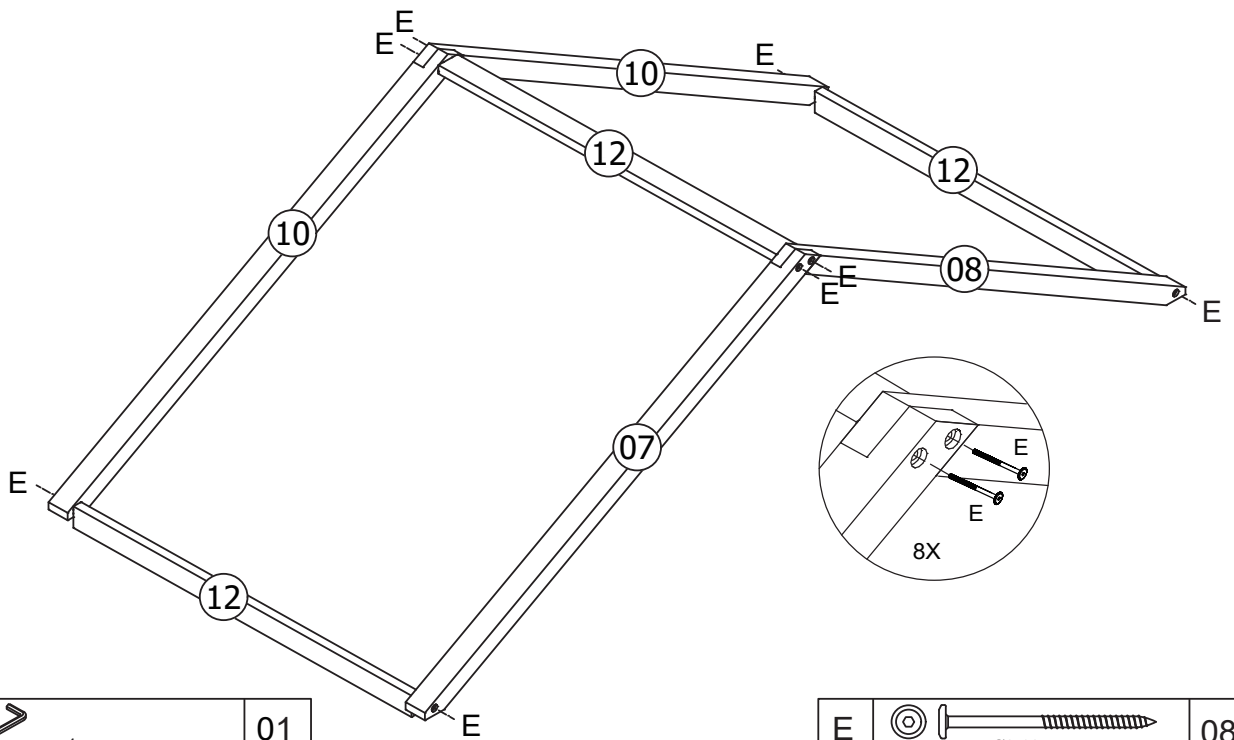
03




A		M6x90mm	20
B		Ø10.5x16mm	20
C		Ø8x30mm	08

K		4mm	01
---	---	-----	----

04



E		Ø6x90mm	08
---	---	---------	----

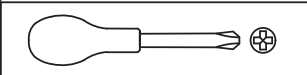
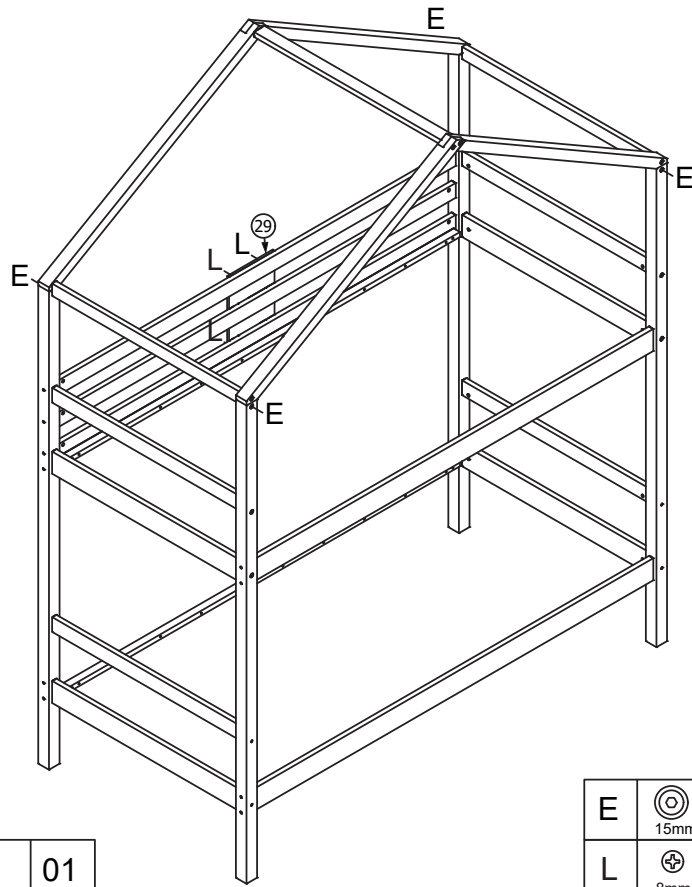
K		4mm	01
---	---	-----	----





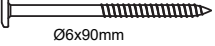


Birlea

Suppliers of inspiration

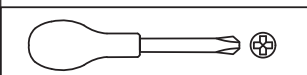
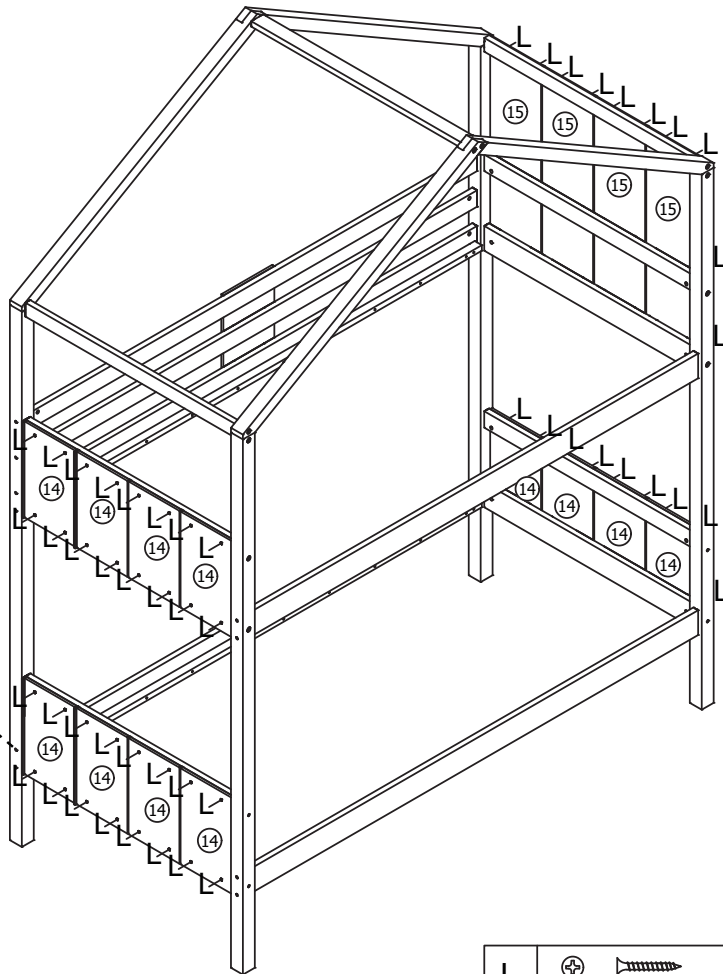
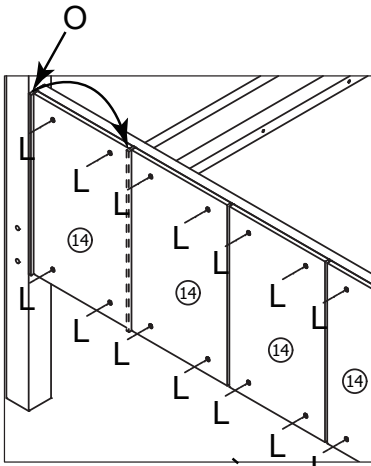
05





K	 4mm	01
---	---	----

E	 15mm	 Ø6x90mm	04
L	 8mm	 Ø4x20mm	06

06



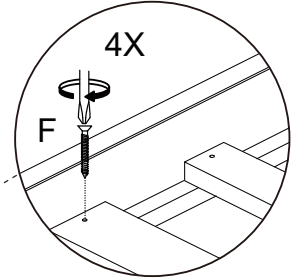
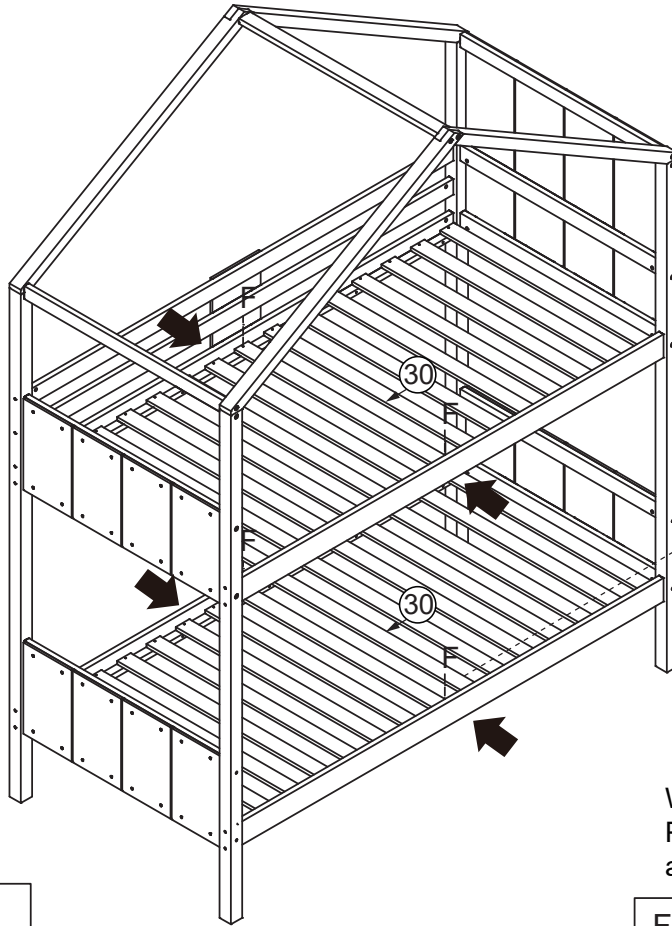
L	 8mm	 Ø4x20mm	72
---	---	---	----



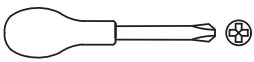
Birlea

Suppliers of inspiration

07

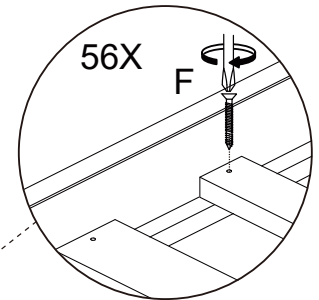
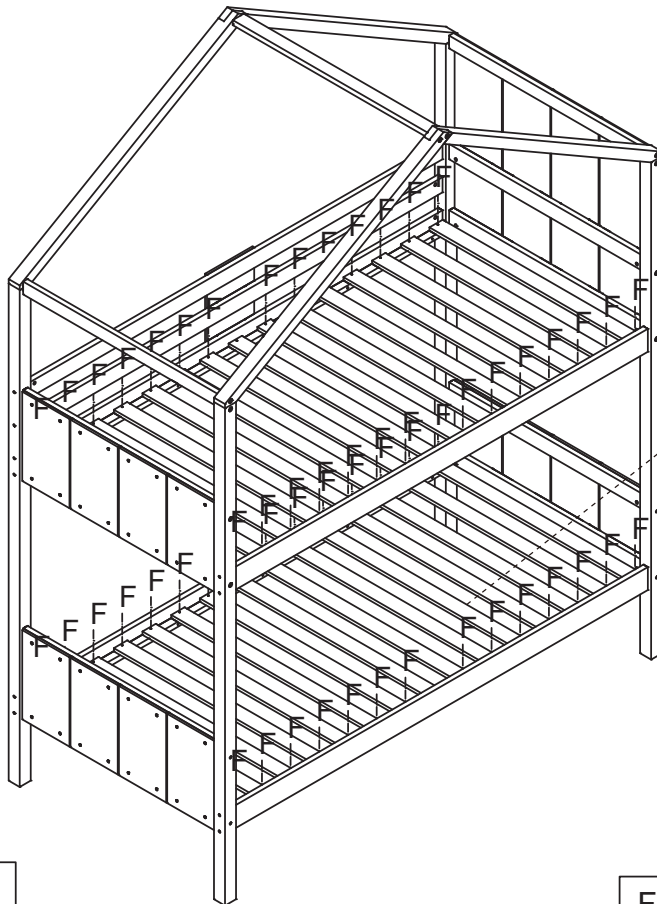


WARNING:
Press the middle of bed sides
and tighten the screw first.



F	⊕	8mm	Ø4x30mm	04
---	---	-----	---------	----

08



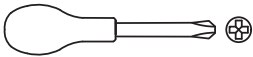
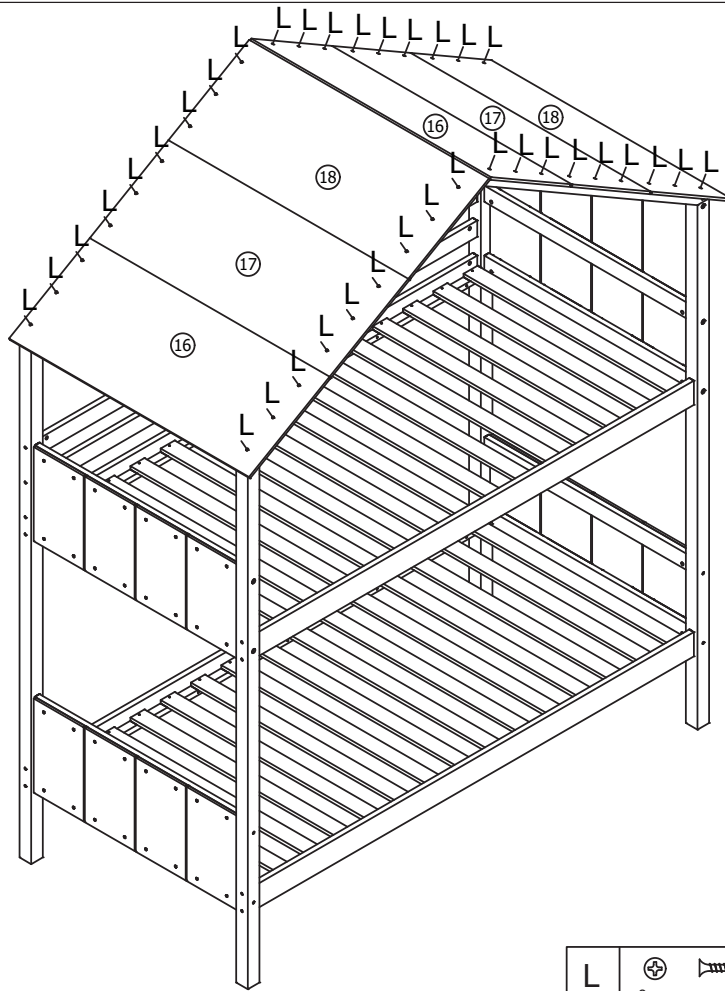
F	⊕	8mm	Ø4x30mm	56
---	---	-----	---------	----



Birlea

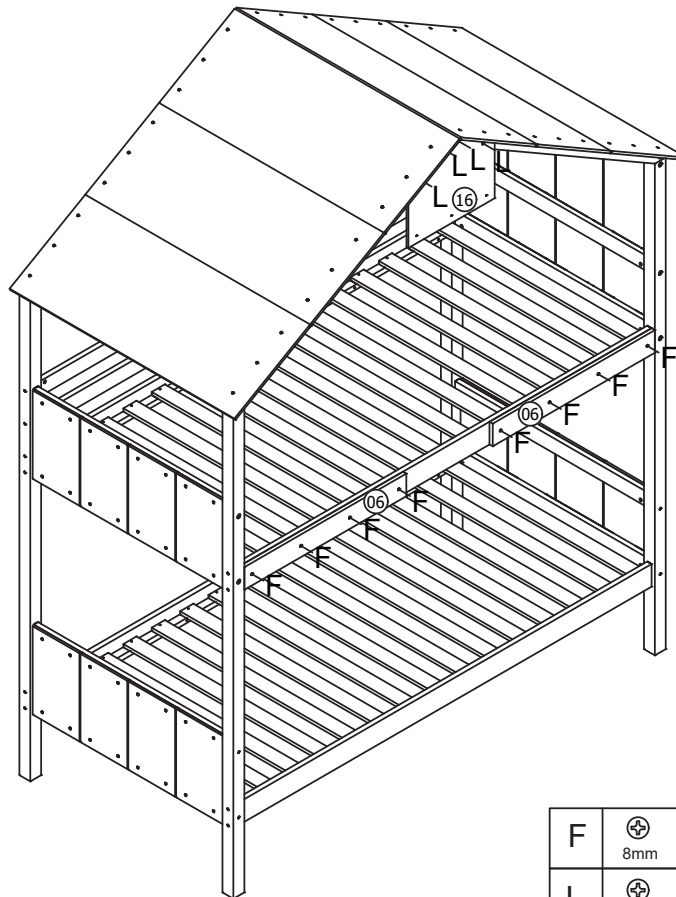
Suppliers of inspiration

09



L			36
	8mm	Ø4x20mm	

10



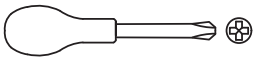
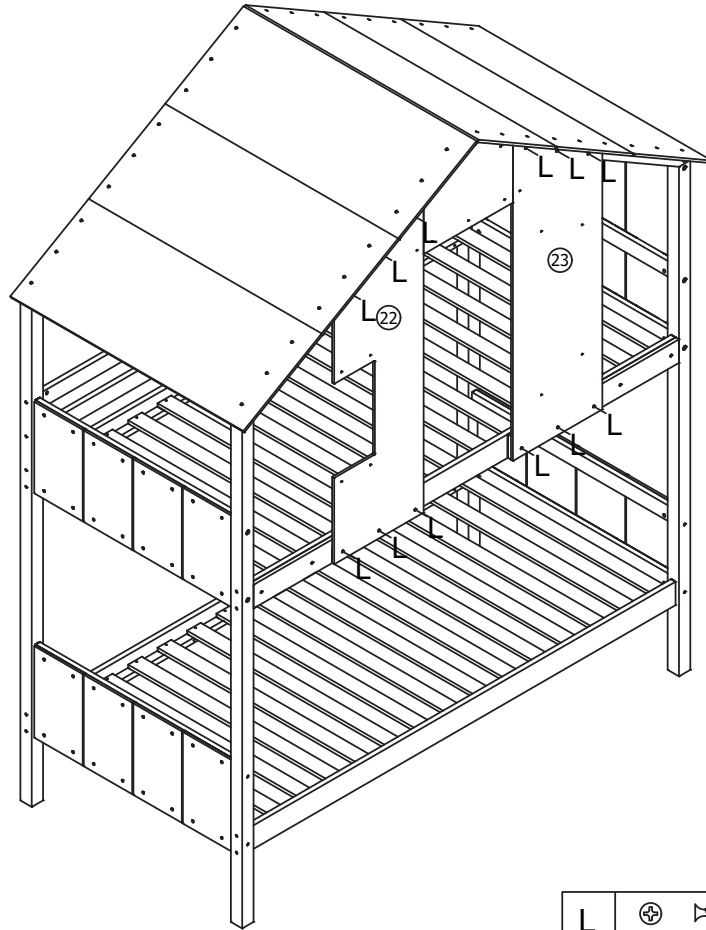
F			08
	8mm	Ø4x30mm	
L			04
	8mm	Ø4x20mm	



Birlea

Suppliers of inspiration

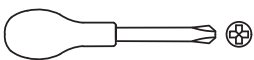
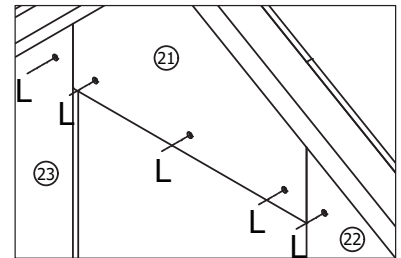
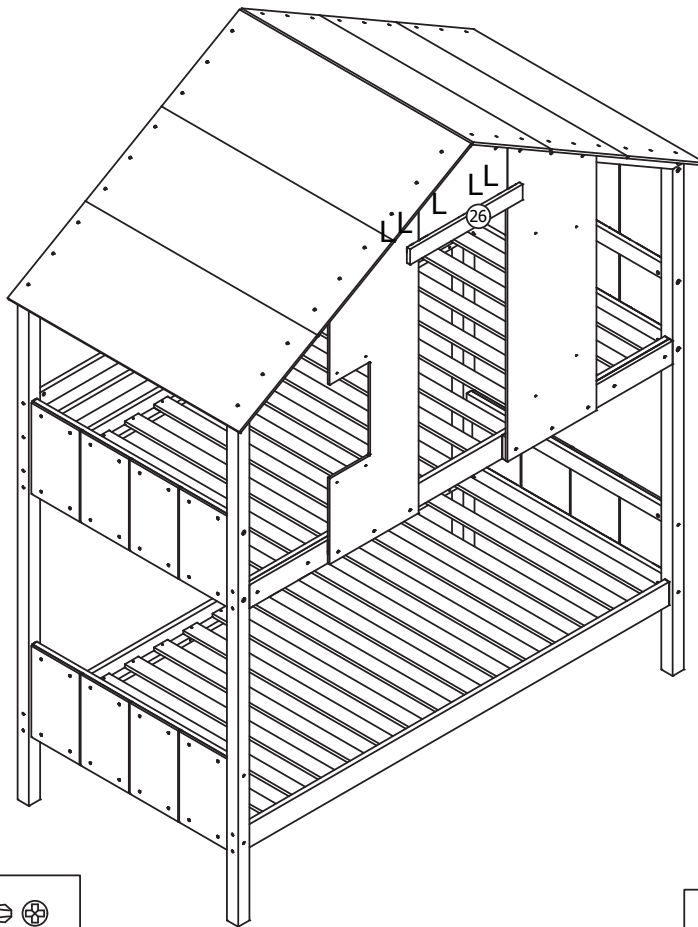
11



L  8mm  Ø4x20mm

12

12



L  8mm  Ø4x20mm

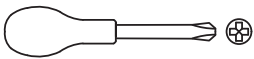
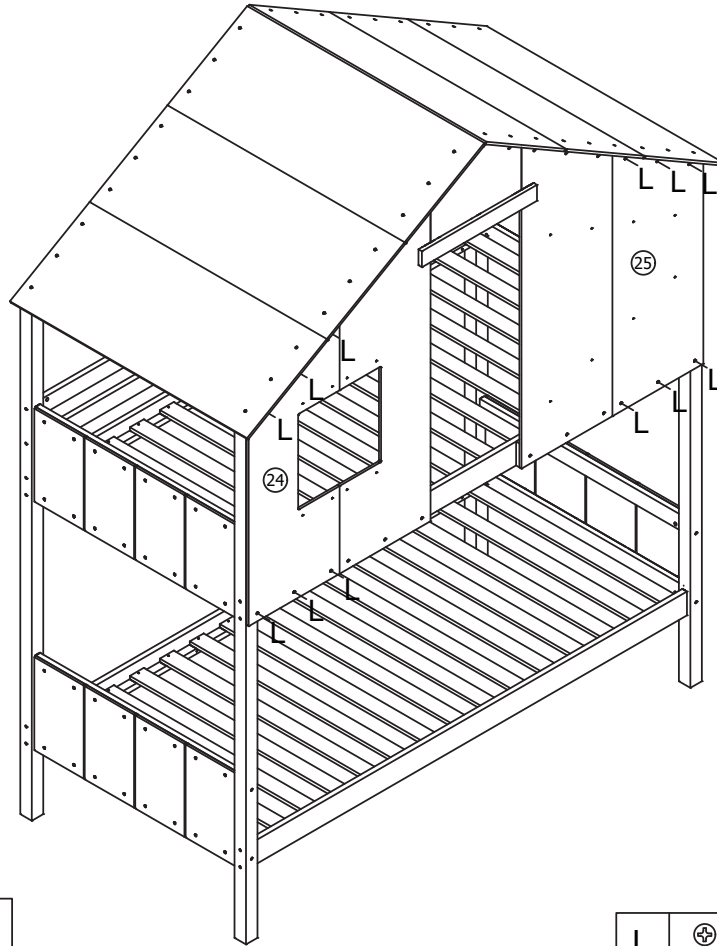
05



Birlea

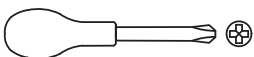
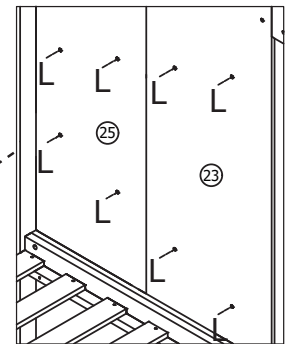
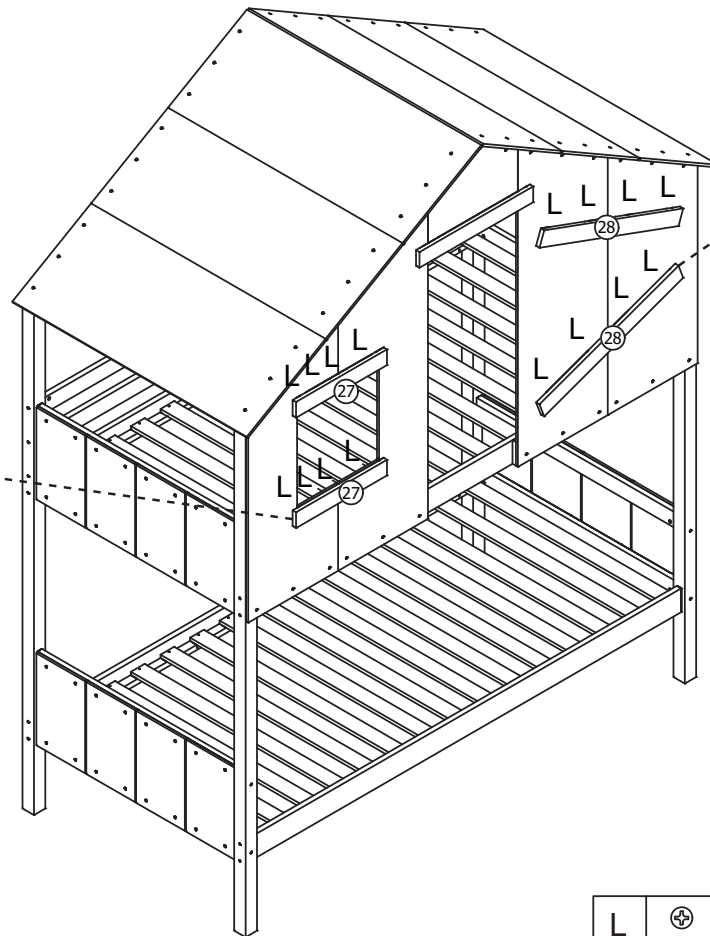
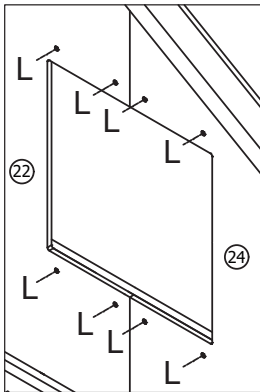
Suppliers of inspiration

13



12

14



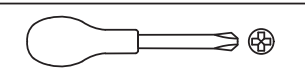
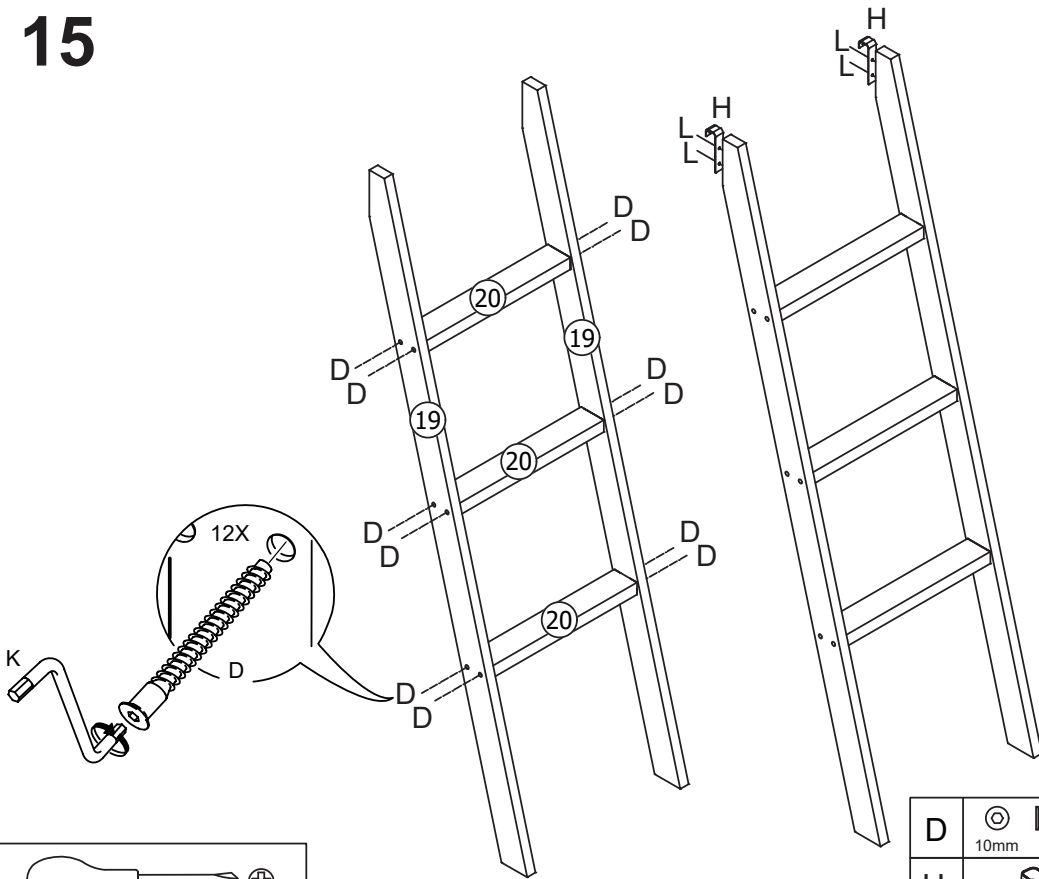
16



Birlea

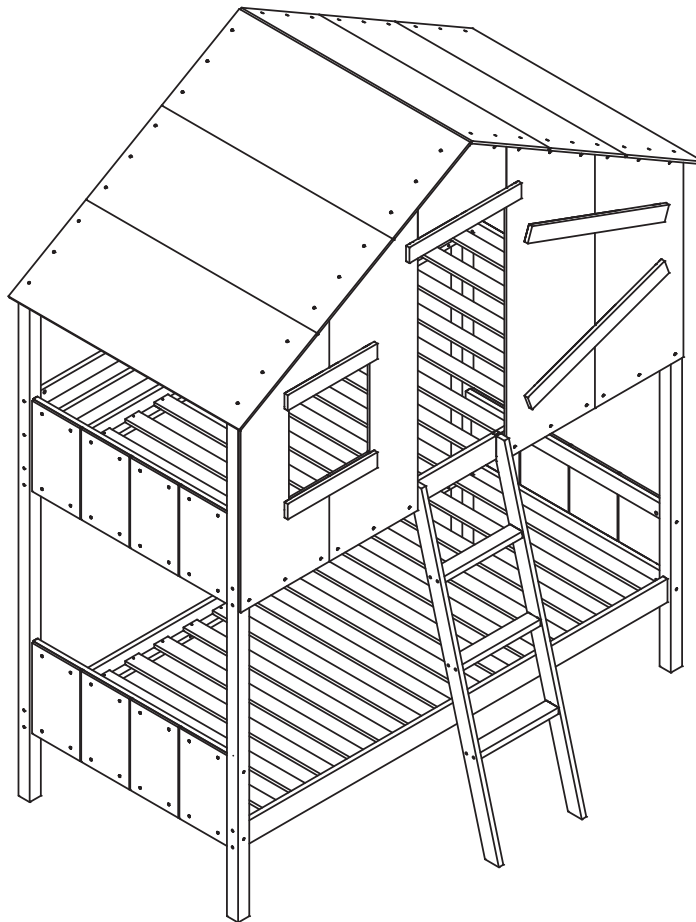
Suppliers of inspiration

15



D	10mm Ø7x60mm	12
H		02
L	8mm Ø4x20mm	04

16



Birlea

Suppliers of inspiration

Additional Information:

- For complete product information, images and dimension diagrams please visit the website www.birlea.com
- If you have any issues with your item please contact the retailer directly you purchased it from who will be able to resolve any issues with Birlea.
- Why don't you send us photos of your assembled furniture to info@birlea.com to be shared in our #birleahome feature on Instagram.



Birlea

Suppliers of inspiration